

FEATURED MODEL

440605 Purus II Faucet in Polished Chrome

ADDITIONAL MODELS

440604 Stainless (Satin Nickel)

FEATURES

- Solid brass body
- Ceramic disc cartridge
- Reversible mounting hardware adapts to thick or thin mounting surfaces
- 2.2 G.P.M. flow rate
- Installation in a 1-3/8" hole

CODE/STANDARDS COMPLIANCE

ASME A112.18.1M-2003
IAPMO Listed

WARRANTY

Blanco America's Blanco-Mix kitchen faucets feature a LIMITED LIFETIME WARRANTY to be free of all manufacturing defects under normal use. See our complete warranty for details.

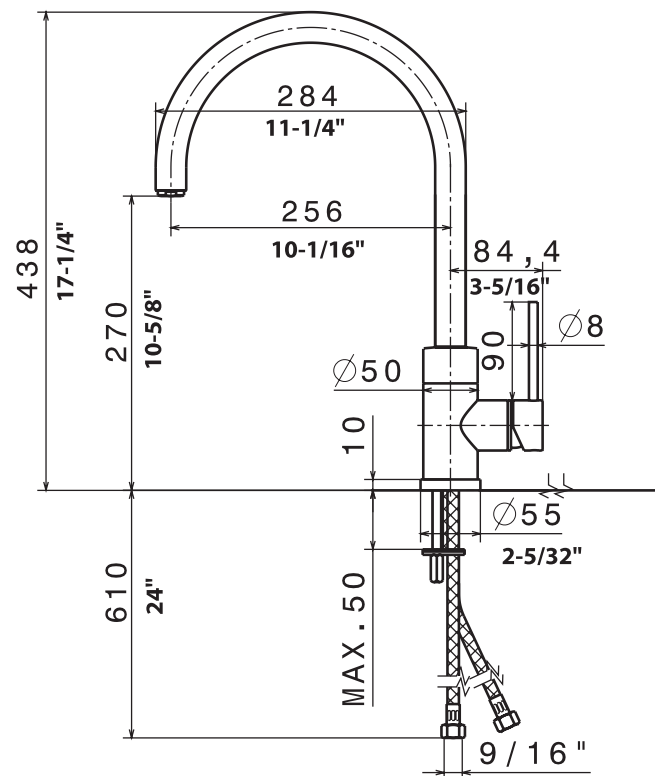
While Blanco America endeavors to provide accurate information, all dimensions are nominal, cannot be guaranteed, and are subject to change or cancellation. Blanco America assumes no responsibility for use of superseded or voided specifications.



MODEL 440605

NOMINAL DIMENSIONS

MODEL	REACH	SPOUT HEIGHT	FAUCET HEIGHT
440605	10-1/16"	10-5/8"	17-1/4"



See next page for exploded parts drawing and parts list.

JOB INFORMATION

Job Name: _____

Contact: _____

Date Specified: _____

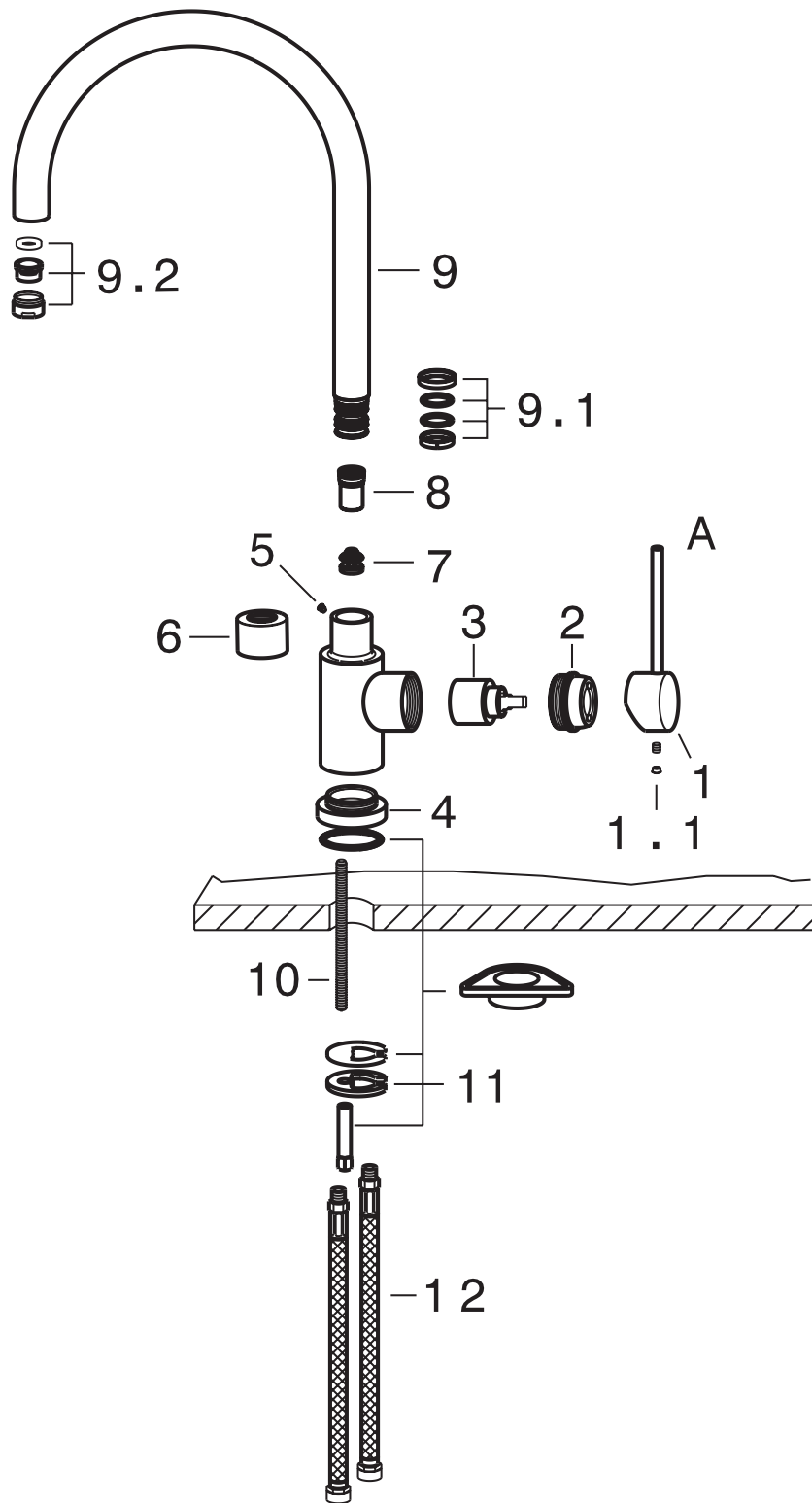
Specifier: _____

Contractor: _____

BLANCO AMERICA
800.451.5782
www.blancoamerica.com

BLANCO PURUS II

MODEL 440604 & 440605



NUM.	DOC. PART #
1	17970
1.1	16125
2	16034
3	14720
4	17950
5	10235
6	12725
7	15304
8	15303
9	15316
9.1	17972
9.2	89
10	16992
11	17973
12	15005