

FEATURED MODEL

441405 CULINA 1.8 Semi-Professional CHROME

ADDITIONAL MODELS

441407 CULINA 1.8 Semi-Professional SATIN NICKEL



reddot design award
 product design

FEATURES

- Meets CALGREEN requirements for water saving usage.
- 2011 RED DOT Award Winning Design.
- AB1953 Compliant under NSF Annex G certification.
- A gracefully flexible steel spring spout provides maximum free range.
- The streamlined closed coil is also easier to keep clean.
- Quick release magnetic hand spray is easy to use and effortlessly snaps back to their original position just by holding the spout near the magnetic feature.
- Dual spray feature on hand spray.
- Easy to clean rubber nubbins on spray head make it easy to clean calcium and lime deposits with your finger.
- Solid brass construction
- Ceramic disc cartridge
- 1.75 GPM Rate
- Installation in a 1-3/8" hole
- Limited Lifetime Warranty

CODE/STANDARDS COMPLIANCE

ASME A112.18.1-2005

NSF 61 certified in conformance with Uniform Plumbing Code

NSF 61 ANEX G low lead requirements

WARRANTY

Blanco America's faucets feature a LIMITED LIFETIME WARRANTY to be free of all manufacturing defects under normal use. See our complete warranty for details. While Blanco America endeavors to provide accurate information, all dimensions are nominal, cannot be guaranteed, and are subject to change or cancellation. Blanco America assumes no responsibility for use of superseded or voided specifications.

JOB INFORMATION

Job Name: _____

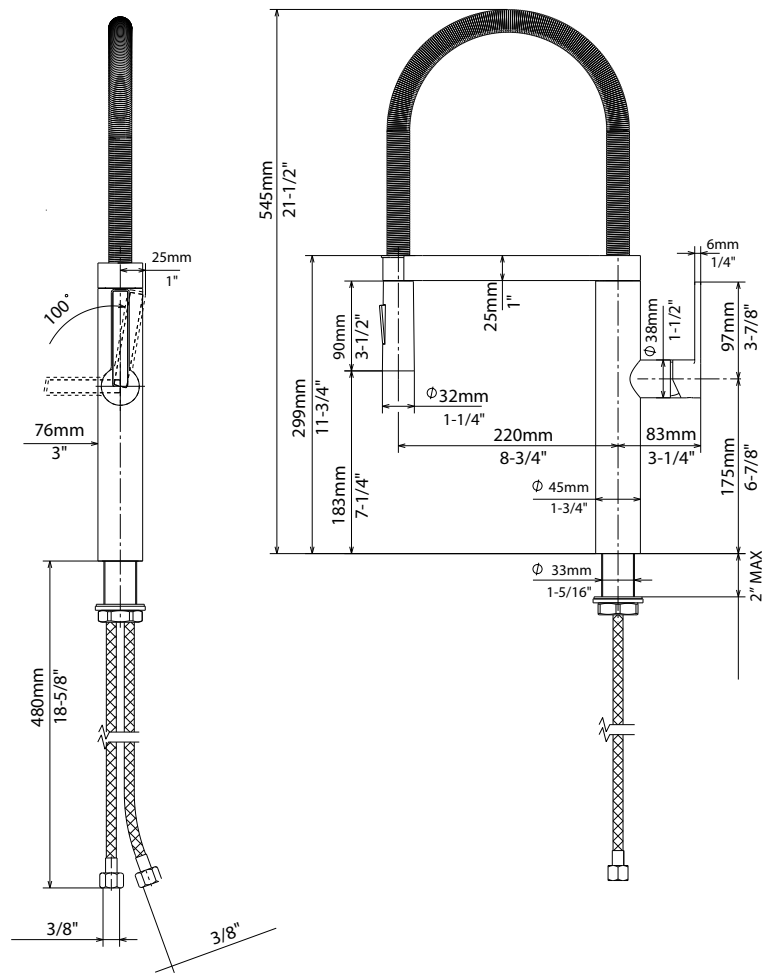
Contact: _____

Date Specified: _____

Specifier: _____

Contractor: _____

NOMINAL DIMENSIONS
MODEL: 441405
REACH: 8-5/8"
SPOUT HEIGHT: 7-1/2"
FAUCET HEIGHT: 22"



BLANCO
 800.451.5782
 www.blancoamerica.com

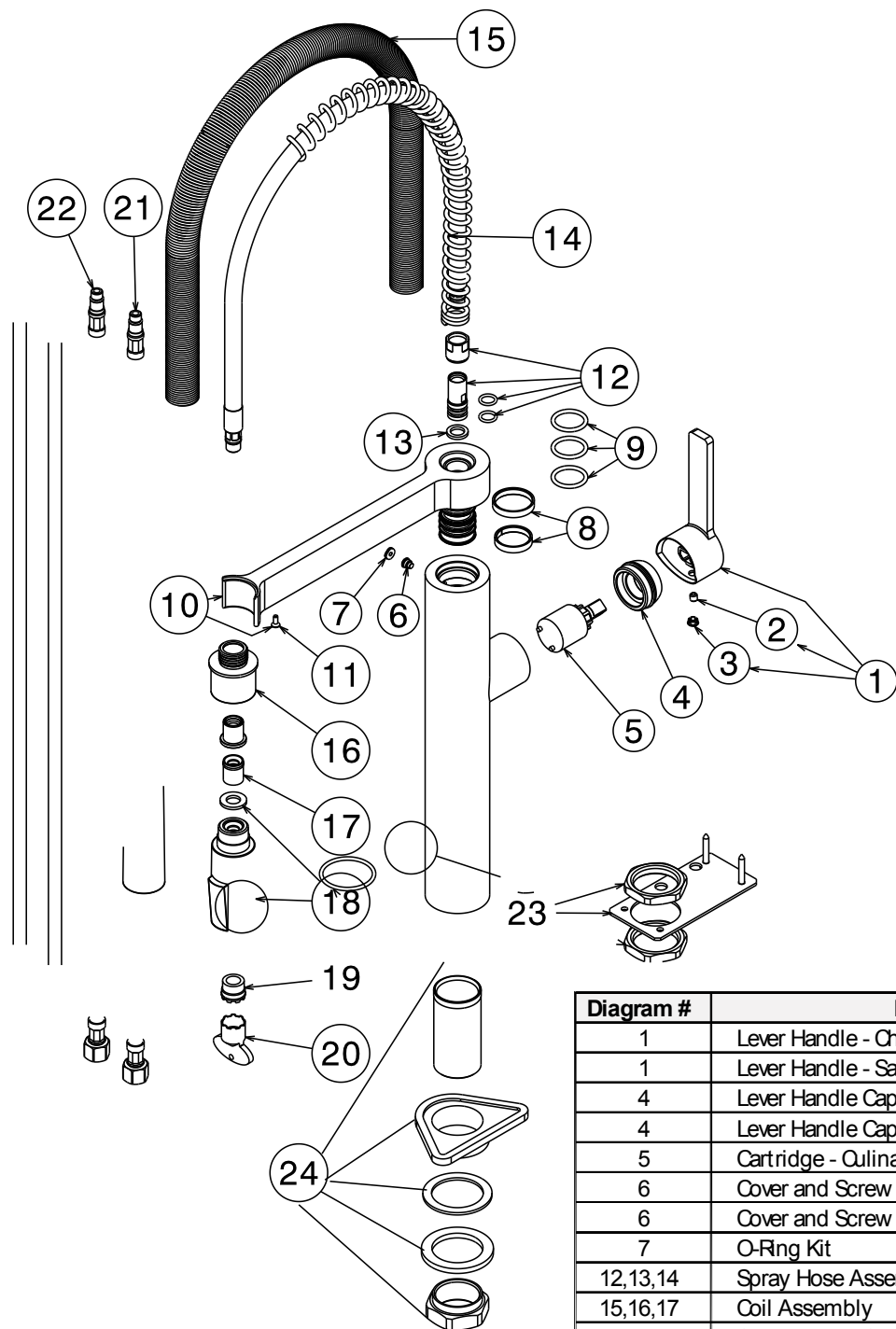


Diagram #	Description	Part #
1	Lever Handle - Chrome	441342
1	Lever Handle - Satin Nickel	441343
4	Lever Handle Cap - Chrome	441344
4	Lever Handle Cap - Satin Nickel	441345
5	Cartridge - Culina	441346
6	Cover and Screw - Chrome Culina Body	441347
6	Cover and Screw - Satin Nickel Culina Body	441348
7	O-Ring Kit	441349
12,13,14	Spray Hose Assembly	441350
15,16,17	Coil Assembly	441351
18,19	Spray Head - Chrome	441352
18,19	Spray Head - Satin Nickel	441353
19,20	Aerator and Tool	441354
23,24	Mounting Hardware	441355