

FEATURED MODEL

441410 TORINO 1.8 PULL OUT Kitchen CHROME

ADDITIONAL MODELS

441416 TORINO 1.8 PULL OUT Kitchen CAFE BROWN

441415 TORINO 1.8 PULL OUT Kitchen BISCOTTI

441414 TORINO 1.8 PULL OUT Kitchen TRUFFLE

441411 TORINO 1.8 PULL OUT Kitchen SATIN NICKEL

441412 TORINO 1.8 PULL OUT Kitchen ANTHRACITE

FEATURES

- Meets CALGREEN requirements for water saving usage.
- 1.75 GPM Rate
- AB1953 Compliant under NSF Annex G certification
- Durable spiral flexible pull out spray hose
- Solid brass construction
- Ceramic disc cartridge
- Taller height
- Color coded hot & cold supplies
- Installation in a 1-3/8" hole
- Limited Lifetime Warranty

CODE/STANDARDS COMPLIANCE

ASME A112.18.1-2005

NSF 61 certified

NSF 61 ANEX G low lead requirements

AB1953 Lead Free

WARRANTY

BLANCO kitchen faucets in Chrome and Stain Nickel a LIMITED LIFETIME WARRANTY to be free of all manufacturing defects under normal use. A 5-YEAR LIMITED WARRANTY on all SILGRANIT color matching faucets. See our complete warranty for details.

While BLANCO endeavors to provide accurate information, all dimensions are nominal, cannot be gaurenteed, and are subject to change or cancellation. BLANCO assumes no responsibility for use of superseded or voided specifications.

JOB INFORMATION

Job Name: _____

Contact: _____

Date Specified: _____

Specifier: _____

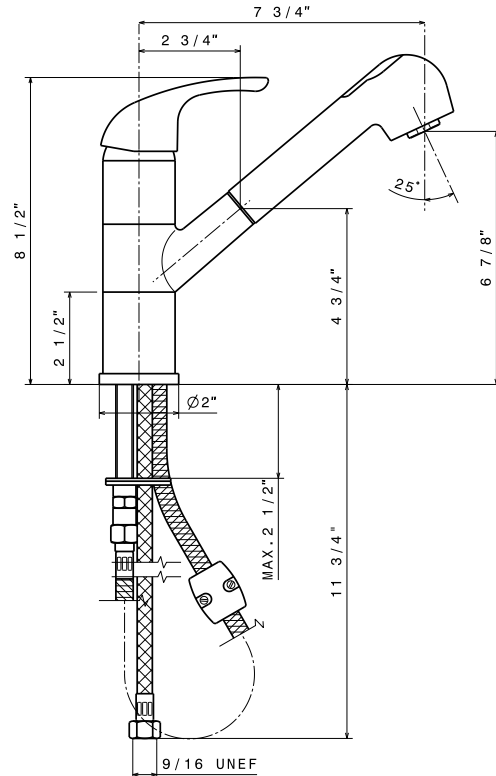
Contractor: _____



Model 441416 shown

NOMINAL DIMENSIONS

REACH	SPOUT HEIGHT	FAUCET HEIGHT
7-3/4	6-7/8	8-1/2



See next page for exploded parts drawing and parts list.