

FEATURED MODEL

441497 GRACE II 1.8 Pull Down w/ Dual Spray
 in Satin Nickel Finish

ADDITIONAL MODELS

441496 GRACE II 1.8 Pull Down w/ Dual Spray
 in Chrome Finish

FEATURES

- 360 degree radius swivel spout
- AB1953 compliant
- Dual spray function
- Solid brass body
- Ceramic disc cartridge
- Color coded hot & cold supply lines
- Durable spiral flexible pull-out spray hose
- 1.8 GPM flow rate saves 20% over standard faucets
- Installation in a 1-3/8" hole

CODE/STANDARDS COMPLIANCE

ASME A112.18.1-2005
 IAPMO Certified

AB1953 Lead Free

WARRANTY

BLANCO kitchen faucets in Chrome and Satin Nickel finishes feature a LIMITED LIFETIME WARRANTY to be free of all manufacturing defects under normal use. See our complete warranty for details.

While BLANCO endeavors to provide accurate information, all dimensions are nominal, cannot be gaurenteed, and are subject to change or cancellation. BLANCO assumes no responsibility for use of suspended or voided specifications.

JOB INFORMATION

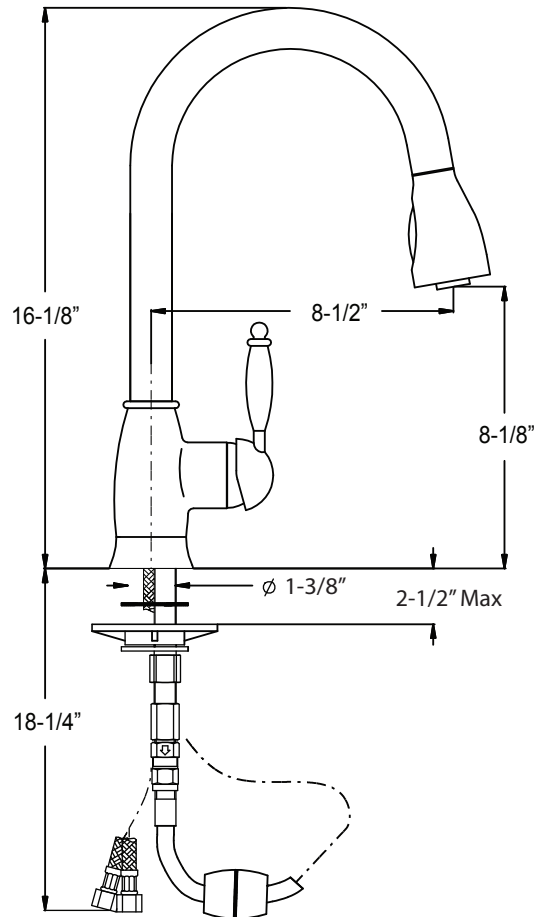
Job Name: _____
 Contact: _____
 Date Specified: _____
 Specifier: _____
 Contractor: _____



NOMINAL DIMENSIONS

Model 441497 shown

REACH	SPOUT HEIGHT	FAUCET HEIGHT
8-1/2"	8-1/8"	16-1/8"



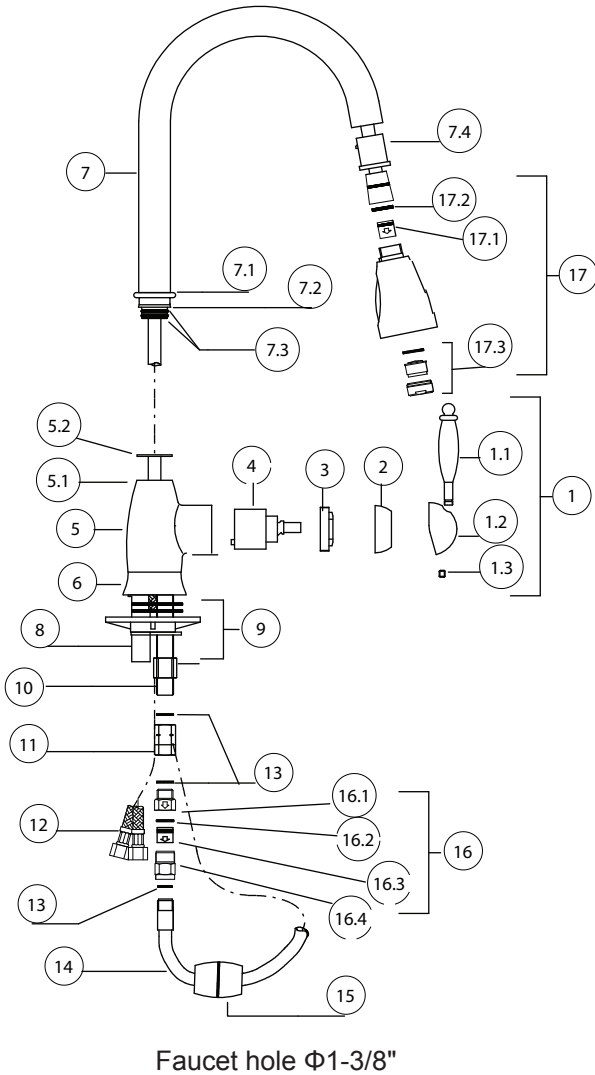


Diagram #	Part #	Description
1		Handle Kit - Satin Nickel
1.1		Lever- Satin Nickel
1.2		Button
1.3		Screw
2		Cap
3		Cartridge nut
4		Cartridge
5		Body - Satin Nickel
5.1		Screw
5.2		Teflon
6		Base ring - Satin Nickel
7		Spout kit - Satin Nickel
7.1		Spout nipple
7.2		Spout teflon ring
7.3		Spout O-ring
7.4		Spout insert
8		Plastic guide
9		Mounting nut kit
10		Mounting bolt
11		Mounting swivek nut
12		Supply lines
13		Fiber washers
14		Spray Supply
15		Weight
16		Check valve kit
16.1		Check valve nipple
16.2		Check valve washer
16.3		Check valve
16.4		Check valve body
17		Spray head - Satin Nickel
17.1		Flow regulator 2.2 gpm
17.2		Washer screen
17.3		Aerator kit