

FEATURED MODEL

441504 HILAND 1.8 Pull Out
w/ Dual Spray in CHROME

ADDITIONAL MODELS

441505 HILAND 1.8 Pull Out
w/ Dual Spray in STAINLESS STEEL finish*

FEATURES

- 180 degree radius swivel spout
- AB1953 compliant
- Dual spray function
- Solid brass body
- Ceramic disc cartridge
- Color coded hot & cold supply lines
- Durable spiral flexible pull-out spray hose
- 1.8 GPM flow rate saves 20% more water
- Installation in a 1-3/8" hole
- *Stainless Steel finish is a color co-ordinate and not actually made of or in stainless steel material.

CODE/STANDARDS COMPLIANCE

ASME A112.18.1-2005
IAPMO Certified

WARRANTY

BLANCO kitchen faucets in Chrome and Stainless Steel finishes feature a LIMITED LIFETIME WARRANTY to be free of all manufacturing defects under normal use. See our complete warranty for details.

While BLANCO endeavors to provide accurate information, all dimensions are nominal, cannot be gaurenteed, and are subject to change or cancellation. BLANCO assumes no responsibility for use of suspended or voided specifications.

JOB INFORMATION

Job Name: _____

Contact: _____

Date Specified: _____

Specifier: _____

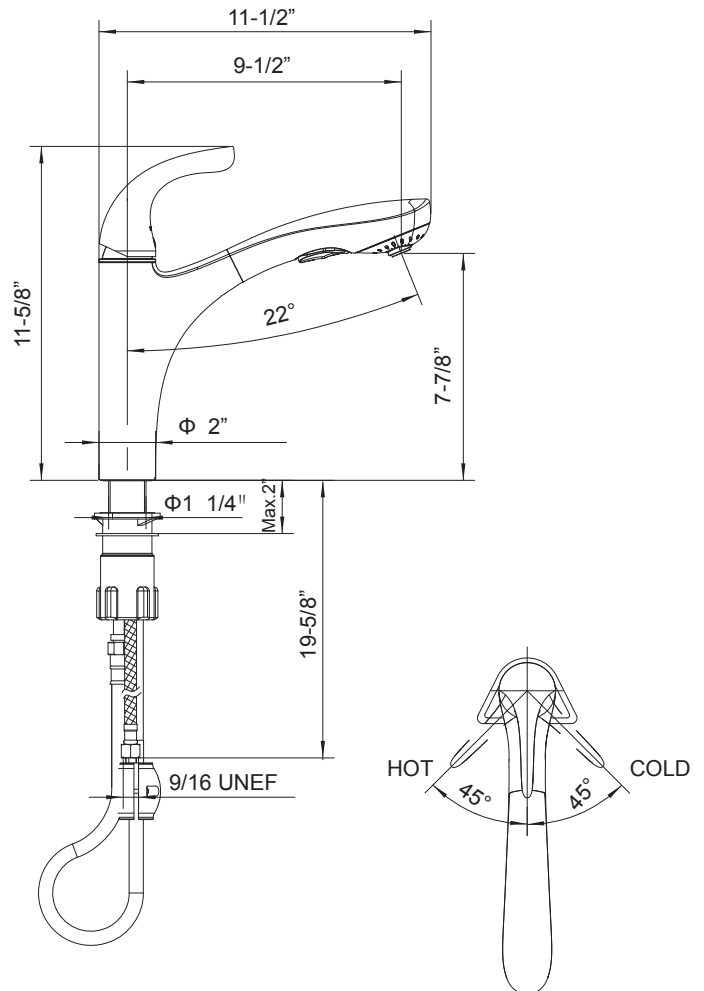
Contractor: _____



NOMINAL DIMENSIONS

Model 441504 shown

REACH	SPOUT HEIGHT	FAUCET HEIGHT
9-1/2"	7-7/8"	11-5/8"



BLANCO AMERICA
800.451.5782
www.blancoamerica.com

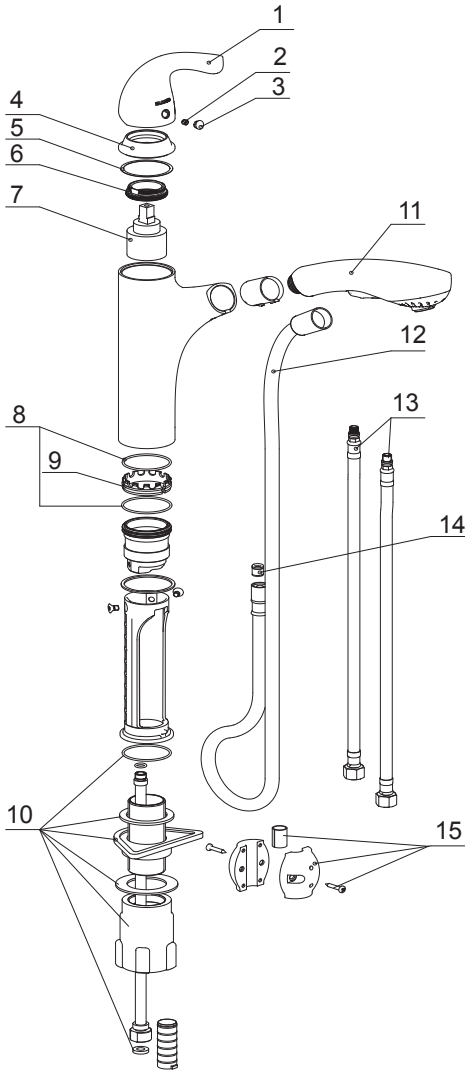


Diagram #	Part #	Description
1		Handle Chrome
2		Cap
3		Handle cap
4		Cartridge cap
5		Teflon ring
6		Cartridge nut
7		Cartridge
8		Inner o-ring
9		Cut ring
10		Mounting assembly
11		Handspray Chrome
12		Spray hose
13		Supply lines
14		Check valve 1.8gpm
15		Weight

Faucet hole Φ 1-3/8"