

### FEATURED MODEL

441508 NAPA 1.8 Pull Down w/  
Dual Spray in CHROME

### ADDITIONAL MODELS

441509 NAPA 1.8 Pull Down w/  
Dual Spray in STAINLESS STEEL finish\*

### FEATURES

- 180 degree radius swivel spout
- AB1953 compliant
- Dual spray function
- Solid brass body
- Ceramic disc cartridge
- Color coded hot & cold supply lines
- Durable spiral flexible pull-out spray hose
- 1.8 GPM flow rate saves 20% more water
- Installation in a 1-3/8" hole
- \*Stainless Steel finish is a color co-ordinate and not actually made of or in stainless steel material.

### CODE/STANDARDS COMPLIANCE

ASME A112.18.1-2005  
IAPMO Certified

### WARRANTY

BLANCO kitchen faucets in Chrome and Stainless Steel finishes feature a LIMITED LIFETIME WARRANTY to be free of all manufacturing defects under normal use. See our complete warranty for details.

While BLANCO endeavors to provide accurate information, all dimensions are nominal, cannot be gaurenteed, and are subject to change or cancellation. BLANCO assumes no responsibility for use of suspended or voided specifications.

### JOB INFORMATION

Job Name: \_\_\_\_\_

Contact: \_\_\_\_\_

Date Specified: \_\_\_\_\_

Specifier: \_\_\_\_\_

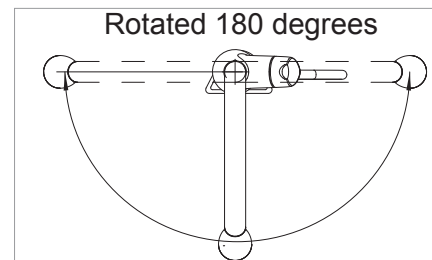
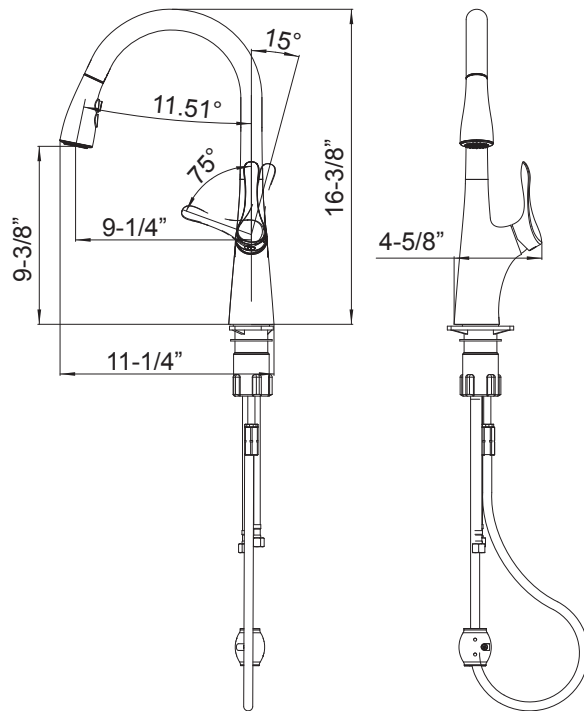
Contractor: \_\_\_\_\_



### NOMINAL DIMENSIONS

Model 441508 shown

REACH	SPOUT HEIGHT	FAUCET HEIGHT
9-1/4"	9-3/8"	16-3/8"



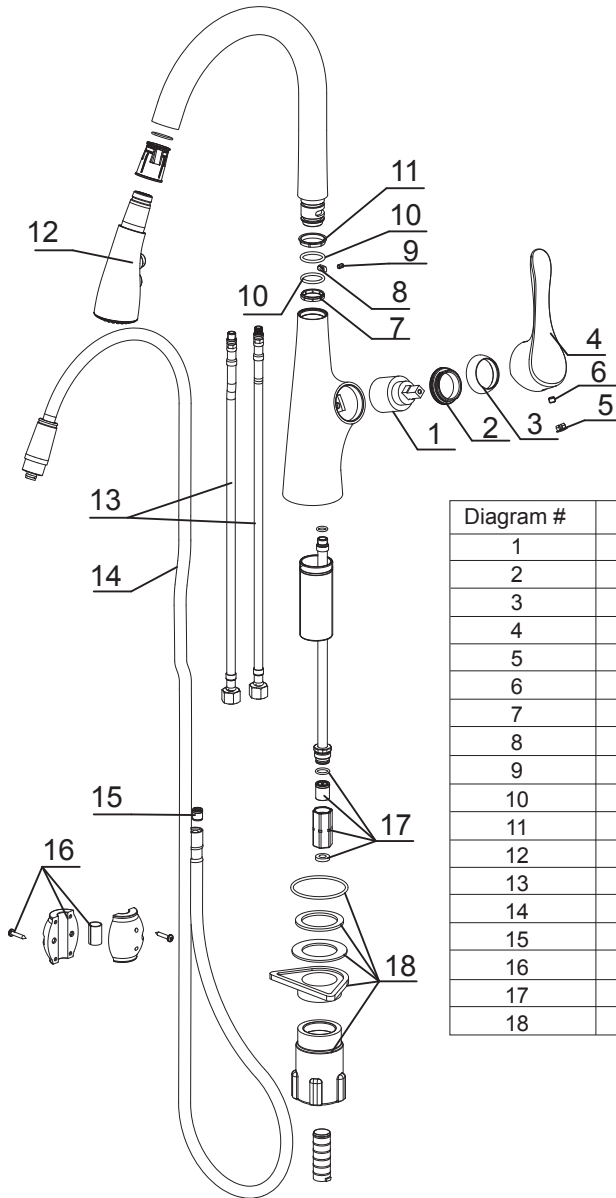


Diagram #	Part #	Description
1		Cartridge
2		Cartridge lock nut
3		Cartridge cap
4		Handle
5		Screw cap
6		Handle screw
7		Cut ring
8		Lock ring
9		Spout screw
10		o-ring
11		Cut ring
12		Handspray Chrome
13		Supply lines
14		Supply hose
15		Check valve 1.8 GPM
16		Weight
17		Check valve connection
18		Mounting kit