

FEATURED MODEL

441492 Compact Pull-Out Dual 1.8, SATIN NICKEL

ADDITIONAL MODELS

441493 Compact Pull-Out Dual 1.8, CHROME

FEATURES

- Solid brass body
- Meets CALGREEN requirements for water-saving usage
- Ceramic disk cartridge
- Extendable dual pull-out spray
- 1.8 GPM flow rate saves 20% more water
- Installation in a 1-3/8" hole
- Color coded hot and cold supply lines
- 130 degree spout swivel
- 1-3/4" maximum deck thickness

OPTIONAL ACCESSORIES

Alta Soap Dispenser: 440045 (Satin Nickel)

CODE/STANDARDS COMPLIANCE

ASME A112.18.1-2011
 NSF 61 certified
 NSF 61 ANEX G low lead requirements

AB1953 Lead Free

WARRANTY

BLANCO'S kitchen and bar faucets feature a LIMITED LIFETIME WARRANTY to be free of all manufacturing defects under normal use. See our complete warranty for details.

While BLANCO endeavors to provide accurate information, all dimensions are nominal, cannot be guaranteed, and are subject to change or cancellation. BLANCO assumes no responsibility for use of superseded or voided specifications.

JOB INFORMATION

Job Name: _____

Contact: _____

Date Specified: _____

Specifier: _____

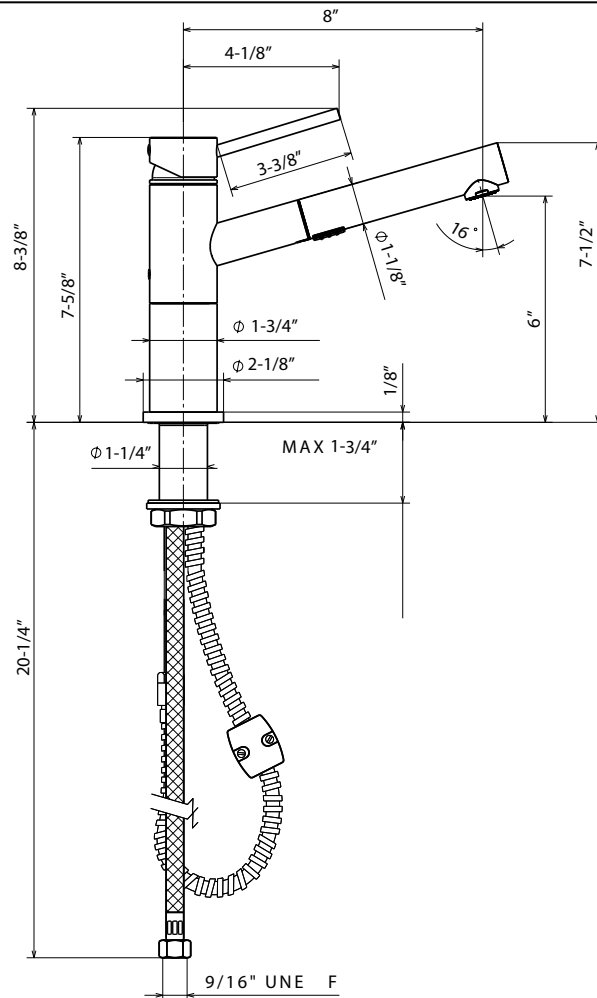
Contractor: _____



NOMINAL DIMENSIONS

Model 441493 shown

REACH	SPOUT HEIGHT	FAUCET HEIGHT
8"	6"	8-1/2"



See next page for exploded parts drawing and parts list.

BLANCO AMERICA

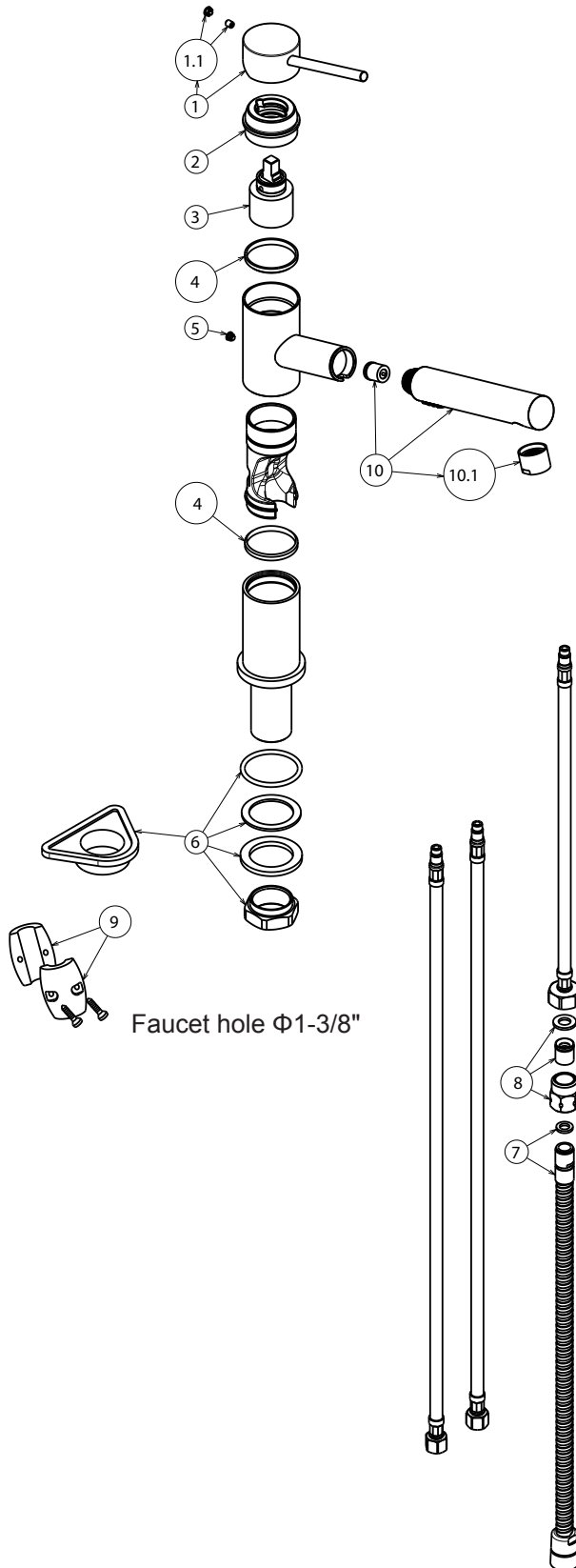
800.451.5782

www.blancoamerica.com

© 2013 BLANCO AMERICA

7/13

SPEC-003



REPAIR PART GUIDE

Num.	Description	Part #
1	Handle - Satin Nickel	
1.1	Handle - Screw and Cap	440890
2	Cartridge lock nut	
3	Cartridge	440877
4	Inner o-rings	
5	Body set screw	
6	Mounting assembly	
7	Spray hose	440878
8	Check valve 1.8 GPM	
9	Weight	
10	Handspray - Satin Nickel	441446
10.1	Aerator	

Need to Change a Faucet Cartridge?



Scan this QR code
to see our how-to video

For faucet technical support or questions,
please e-mail us at faucets@blancoamerica.com