



MODELS

- 442539 1-3/4 Sink, 5" bowl depths, CINDER
- 442542 1-3/4 Sink, 5" bowl depths, WHITE
- 442544 1-3/4 Sink, 5" bowl depths, BISCUIT
- 442543 1-3/4 Sink, 5" bowl depths, ANTHRACITE
- 442546 1-3/4 Sink, 5" bowl depths, CAFE BROWN
- 442545 1-3/4 Sink, 5" bowl depths, METALLIC GRAY
- 442540 1-3/4 Sink, 5" bowl depths, TRUFFLE
- 442541 1-3/4 Sink, 5" bowl depths, BISCOTTI

FEATURES

- Required outside cabinet: 30"
- 80% solid granite
- Heat resistant up to 536°F
- ADA Compliant
- Unsurpassed cleanability backed by industry leading 7 patents!
- Resistant to scratches, stains and all household acids and alkali solutions
- Template provided with approximate 1/8" reveal
- Undermount clips included
- Limited lifetime warranty

OPTIONAL ACCESSORIES

Sink Grid: 236594

CODE/STANDARDS COMPLIANCE

ANSI Z124.6-97
IAPMO/UPC listed

WARRANTY

BLANCO'S SILGRANIT Series sinks feature a LIMITED LIFETIME WARRANTY to be free of all manufacturing defects under normal use. See our complete warranty for details.

While BLANCO endeavors to provide accurate information, all dimensions are nominal, cannot be guaranteed, and are subject to change or cancellation. BLANCO assumes no responsibility for use of superseded or voided specifications.

JOB INFORMATION

Job Name: _____

Contact: _____

Date Specified: _____

Specifier: _____

Contractor: _____

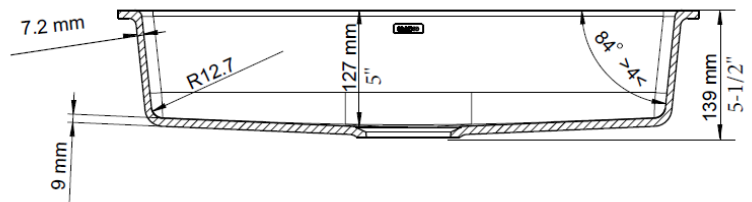
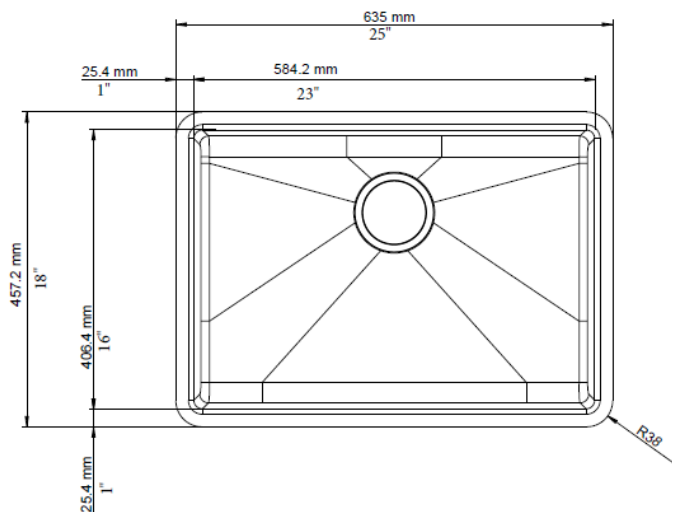


NOMINAL DIMENSIONS

Model 442543 shown

OVERALL	CUT OUT SIZE	SINK DEPTH		DRAIN
		I.D.	O.D.	
25" x 18"	Template provided with approximate 1/8" reveal	5"	5-1/2"	3-1/2"

DXF cutout templates available on our website.



BLANCO AMERICA

800.451.5782
www.blancoamerica.com

© 2018 BLANCO AMERICA

01/18

SPEC-001