

FEATURED MODEL

521484 R15 Super Single, 9" bowl depth

FEATURES

- Required outside cabinet: 33"
- 18 gauge, 304 series stainless steel
- Premium 18/10 chrome/nickel content
- Satin Finish
- Rear drain placement
- Sound deadening pads

OPTIONAL ACCESSORIES

Mult-Level Sink Grid:	231608
Glass Cutting Board:	224390
Colander:	224387
Workstation:	441741
Ash Compound Cutting Board:	231609
Magnetic Sink Caddy:	230694

CODE/STANDARDS COMPLIANCE

ASME 112.19.3-00
IAPMO/UPC listed

WARRANTY

Blanco America's Stainless Steel sinks feature a LIMITED LIFETIME WARRANTY to be free of all manufacturing defects under normal use. See our complete warranty for details.

While Blanco America endeavors to provide accurate information, all dimensions are nominal, cannot be guaranteed, and are subject to change or cancellation. Blanco America assumes no responsibility for use of superseded or voided specifications.

JOB INFORMATION

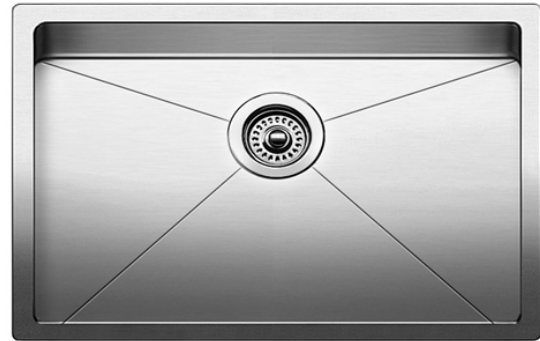
Job Name: _____

Contact: _____

Date Specified: _____

Specifier: _____

Contractor: _____

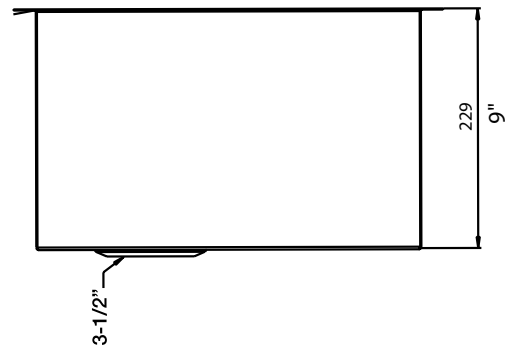
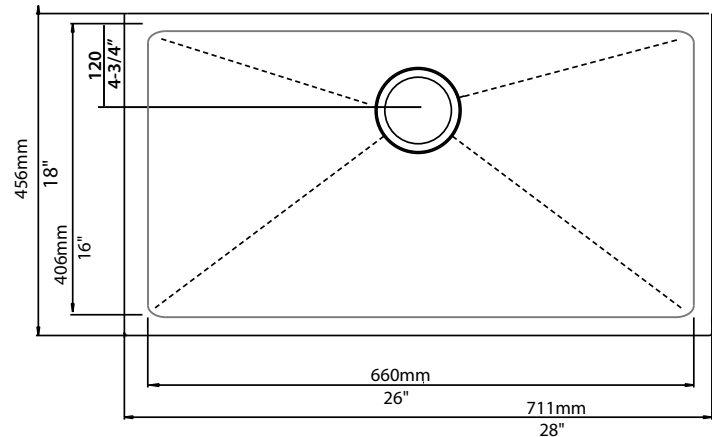


NOMINAL DIMENSIONS

Model 521484 shown

OVERALL	CUT OUT SIZE	BOWL DEPTH	DRAIN
28" x 18"	Template provided with approximate 1/8" reveal	9"	3-1/2"

DXF cutout templates available on our website.



BLANCO AMERICA

800.451.5782

www.blancoamerica.com

© 2016 BLANCO AMERICA

1/16

SPEC-001