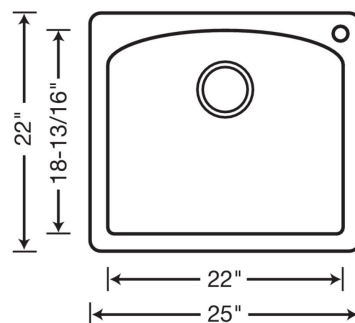




DIAMOND SINGLE DUAL DECK SILGRANIT

Sink Specifications

Color	SKU
White	440211
Biscuit	440212
Café Brown	440208
Metallic Gray	440209
Anthracite	440210
Truffle	441280
Cinder	441463
Concrete Gray	442749



Design and Planning Tips

- Min cabinet size: 27 in
- Bowl depth: 10 in (254.0 mm)

What is included:

Installation instructions, Sink template, Limited lifetime warranty, Drain NOT included., Undermount clips included.

Bowl Depth: 10"

Required outside cabinet: 24" (drop-in), 27" (undermount)

Cutout Size: 24-1/4" x 21-1/4"

Cutout Corner Radius: 5/8"

If undermount installation, the required cabinet space should be 27".

Additional hole drilling available. Please contact your Blanco sales representative for more information.

Versatile dual deck design can be installed as a drop-in or undermount.*

* Undermount clips (10 required) available.

Codes/Standards: CSA B45.8-18/ IAPMO Z403-2018

Optional Accessories

Cutting Board 440231

Warranty

BLANCO offers a limited lifetime warranty on all sinks and faucets, as well as a one-year warranty on all custom accessories.

Code/Standards Compliance

BLANCO sinks and faucets are third-party tested and certified to standards and listed by applicable certification bodies. For more information on individual product listings, contact our office or listing organization.



View our how-to videos to learn more about installing and caring for BLANCO products:

<https://www.blanco.com/us-en/service/how-to-videos/how-to-videos-for-sinks/>

Questions? Contact us today



BLANCO America, Inc.
110 Mount Holly By-Pass
Lumberton, NJ 08048

Phone & Fax
Phone: 888-668-6201
Fax: 609-668-6211

While BLANCO endeavors to provide accurate information, all dimensions are nominal, cannot be guaranteed, and are subject to change or cancellation. BLANCO assumes no responsibility for use of superseded or voided specifications.