

FEATURED MODEL

441484 ALTA Compact Pull Out - Anthracite/Chrome

ADDITIONAL MODELS

- 441485 ALTA Compact Pull Out - Biscotti/Chrome
- 441486 ALTA Compact Pull Out - Satin Nickel
- 441487 ALTA Compact Pull Out - Cafe Brown/Chrome
- 441488 ALTA Compact Pull Out - Chrome
- 441489 ALTA Compact Pull Out - Cinder/Chrome
- 441490 ALTA Compact Pull Out - Truffe/Chrome
- 441491 ALTA Compact Pull Out - White/Chrome

FEATURES

- 140 degree radius swivel spout
- AB1953 compliant
- Dual spray function
- Solid brass body
- Ceramic disc cartridge
- Color coded hot & cold supply lines
- Durable spiral flexible pull-out spray hose
- 2.2 GPM flow rate
- Installation in a 1-3/8" hole

CODE/STANDARDS COMPLIANCE

ASME A112.18.1-2005
 NSF 61 certified
 NSF 61 ANEX G low lead requirements

AB1953 Lead Free

WARRANTY

BLANCO kitchen faucets in Chrome and Satin Nickel a LIMITED LIFETIME WARRANTY to be free of all manufacturing defects under normal use. A 5-YEAR LIMITED WARRANTY on all SILGRANIT color matching faucets. See our complete warranty for details.

While BLANCO endeavors to provide accurate information, all dimensions are nominal, cannot be guaranteed, and are subject to change or cancellation. BLANCO assumes no responsibility for use of suspended or voided specifications.

JOB INFORMATION

Job Name: _____

Contact: _____

Date Specified: _____

Specifier: _____

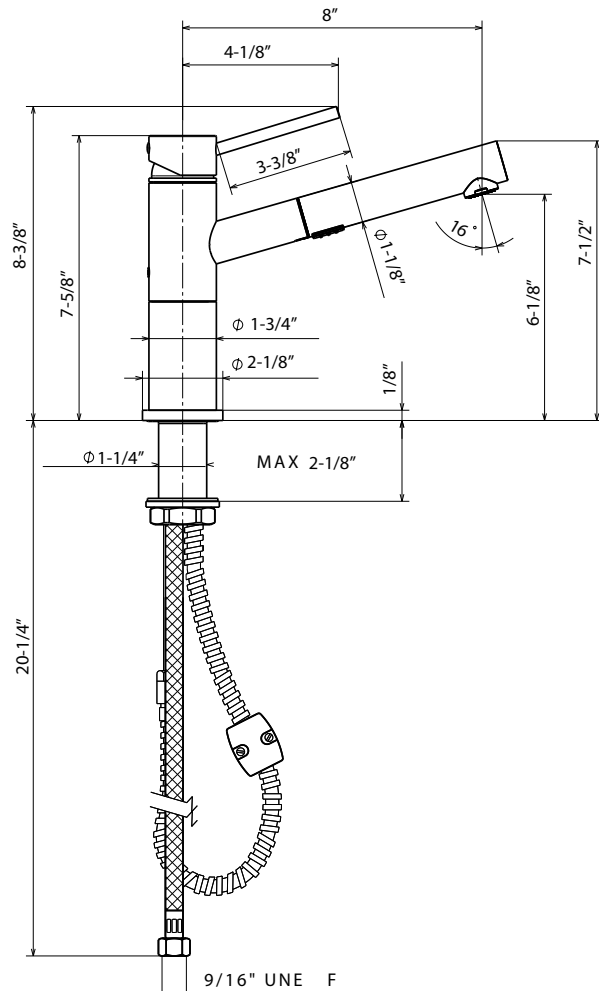
Contractor: _____



Model 440489 shown

NOMINAL DIMENSIONS

REACH	SPOUT HEIGHT	FAUCET HEIGHT
8"	6-1/8"	8-3/8"



BLANCO AMERICA
 800.451.5782
www.blancoamerica.com

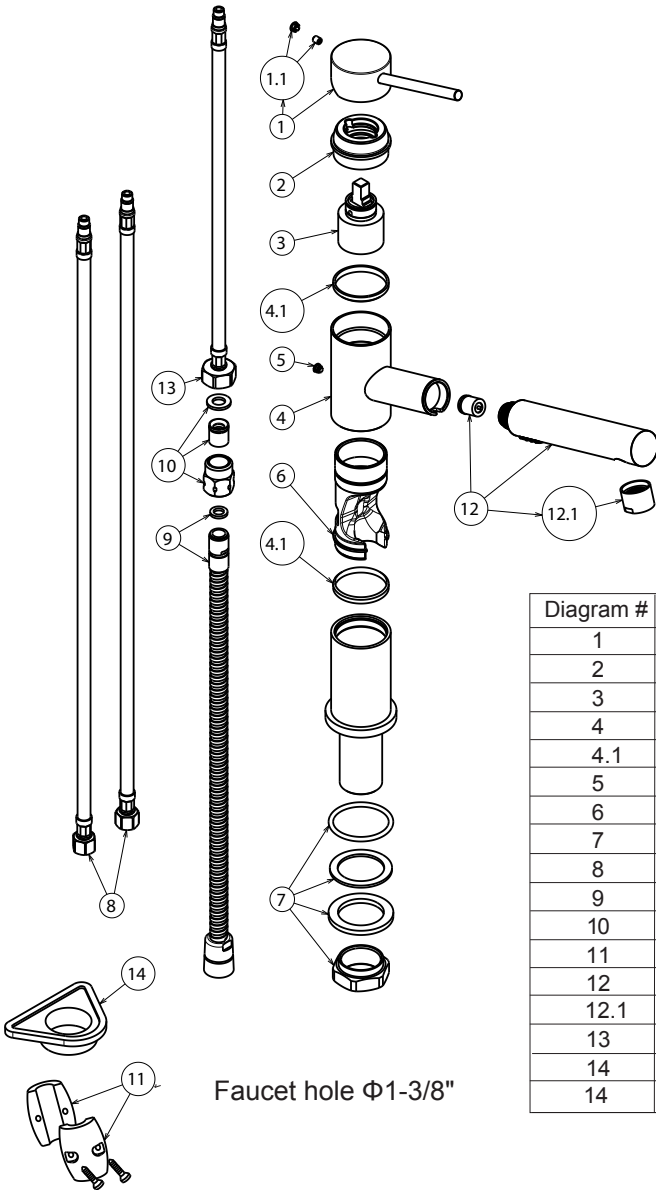


Diagram #	Part #	Description
1		Handle - Chrome
2		Cartridge nut
3		Cartridge
4		Body
4.1		Inner o-rings
5		Body set screw
6		Inner body
7		Mounting assembly
8		Supply lines
9		Spray hose
10		Check valve 2.2gpm
11		Weight
12		Handspray Chrome
12.1		Aerator
13		Spray hose
14		Mounting Brace
14		Spray hose