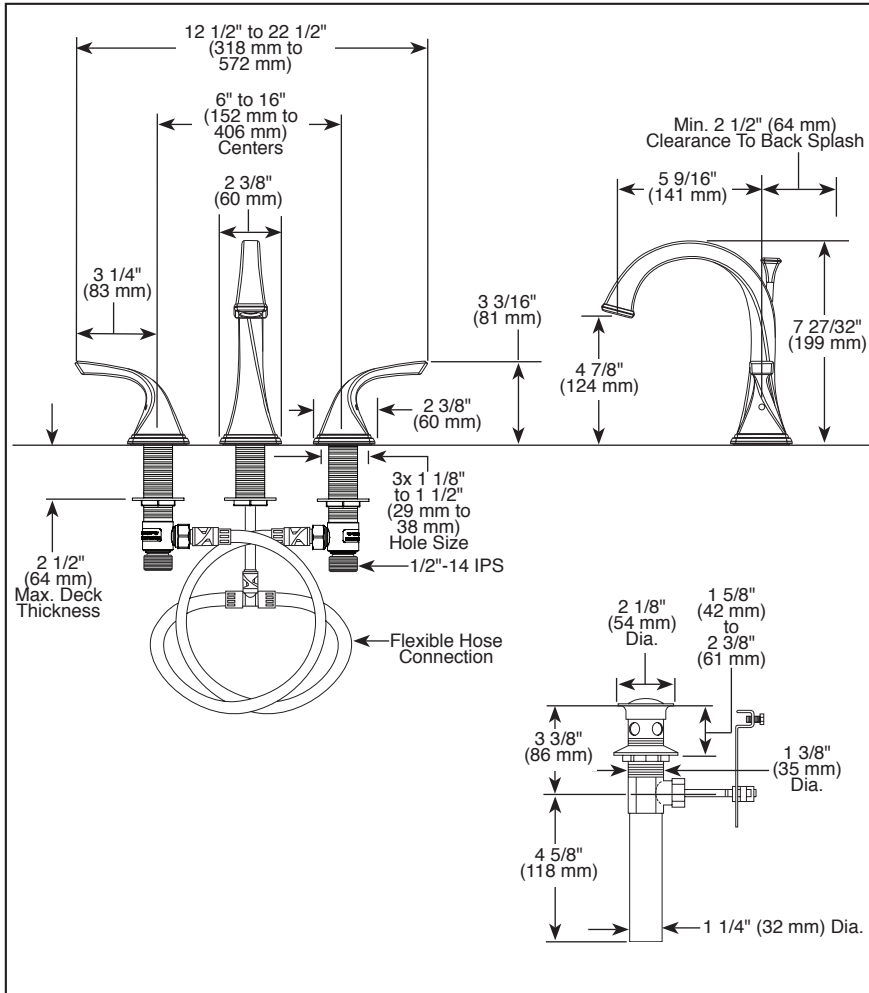


65330LF▲
65330LF▲-ECO



Submitted Model No.: _____

Specific Features: _____



▲ Designate Proper Finish Suffix

BRIZO®

LAVATORY FAUCETS

- Virage® Collection
- Two Handle Widespread Deck Mount

STANDARD SPECIFICATIONS:

- Maximum 1.5 gpm @ 60 psi, 5.7 L/min @ 414 kPa
- Maximum (ECO models only) 1.2 gpm @ 60 psi, 4.5 L/min @ 414 kPa
- Three hole mount
- Control mechanism shall be of the rotating ceramic cylinder type with 90° (1/4 turn) rotation
- Metal drain with pop-up type fitting with plated flange and stopper

WARRANTY

- Lifetime limited warranty on parts (other than electronic parts and batteries) and finishes: or, for commercial users, for 5 years from date of purchase.
- 5 year limited warranty on electronic parts (other than batteries); or, for commercial users, for 1 year from the date of purchase. No warranty is provided on batteries.



COMPLIES WITH:

- ASME A112.18.1 / CSA B125.1
- ASME A112.18.2 / CSA B125.2
- Indicates compliance to ICC/ANSI A117.1
- EPA WaterSense®
- Verified compliant with .25% weighted average Pb content regulations.