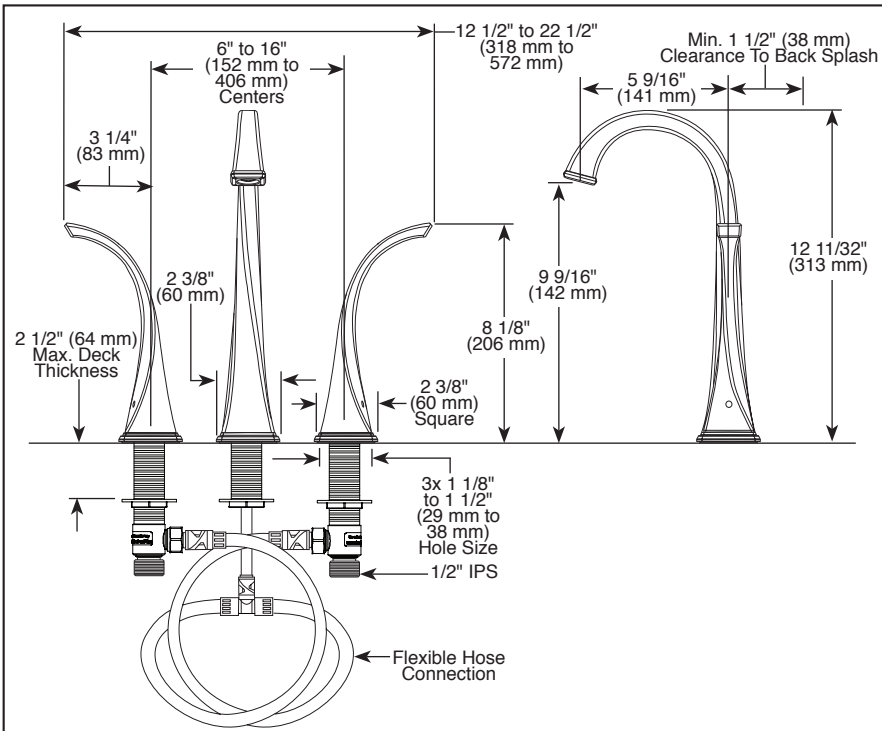


65430LF▲  
65430LF▲-ECO



Submitted Model No.: \_\_\_\_\_

Specific Features: \_\_\_\_\_



# BRIZO®

## WIDESPREAD VESSEL LAVATORY FAUCETS

- Virage® Bath Collection
- Two Handle Widespread Deck Mount

### STANDARD SPECIFICATIONS:

- Max. 1.5 gpm @ 60 psi, 5.7 L/min @ 414 kPa
- Max. (ECO models only) 1.2 gpm @ 60 psi, 4.54 L/min @ 414 kPa
- Three hole mount
- Control mechanism shall be of the rotating ceramic cylinder type with 90° (1/4 turn) rotation
- Metal grid strainer with overflow included



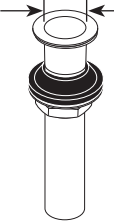

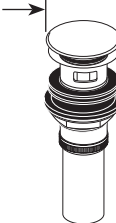
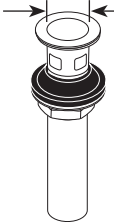
### WARRANTY

- Lifetime limited warranty on parts (other than electronic parts and batteries) and finishes: or, for commercial users, for 5 years from date of purchase.
- 5 year limited warranty on electronic parts (other than batteries); or, for commercial users, for 1 year from the date of purchase. No warranty is provided on batteries.



### COMPLIES WITH:

- ASME A112.18.1 / CSA B125.1
- ASME A112.18.2 / CSA B125.2
- Indicates compliance to ICC/ANSI A117.1
- EPA WaterSense®
- Verified compliant with .25% weighted average Pb content regulations.

<p><b>RP72411▲</b> Grid Strainer Drain less overflow holes</p> 	<p><b>RP72413▲</b> Push Button Drain less overflow holes</p> <p>2 3/4" (70 mm) Dia.</p> 	<p><b>RP81627▲</b> Push Button Drain less overflow holes</p> <p>1 5/8" (41 mm) Dia.</p> 
<p><b>RP72412▲</b> Grid Strainer Drain with overflow holes (Included)</p> 	<p><b>RP72414▲</b> Push Button Drain with overflow holes</p> <p>2 3/4" (70 mm) Dia.</p> 	<p><b>RP81628▲</b> Push Button Drain with overflow holes</p> <p>1 5/8" (41 mm) Dia.</p> 

▲ Designate Proper Finish Suffix