



BRIZO®

LAVATORY FAUCET

- Charlotte® Collection
- Single Handle Deck Mount

FEATURES:

- SmartTouchPlus™ Technology
- TempIQ™ Temperature Sensing Technology

STANDARD SPECIFICATIONS:

- Max flow rate: 1.50 GPM @ 60 PSI, 5.68 L/Min @ 414 kPa with two flow options for cold water
- Max flow rate (ECO models only): 1.20 GPM @ 60 PSI, 4.54 L/Min @ 414 kPa with two flow options for cold water
- One or three hole mount
- Diamond coated ceramic cartridge
- 3/8" O.D. straight, staggered PEX supply lines
- Spout features hidden water-efficient laminar flow aerator
- Temperature indicator LED visually indicates the temperature of the water (blue=cold, magenta=warm, red=hot)
- Electronic proportioning valve for controlling water flow and temperature
- Optional (included) insulator base required for metallic sinks
- Must order drain separately and use included plastic tailpiece
- Optional escutcheon available (RP80414)

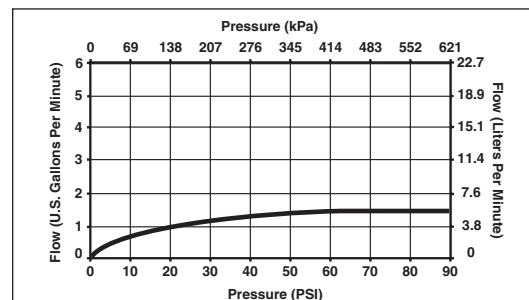
WARRANTY:

- Lifetime limited warranty on parts (other than electronic parts and batteries) and finishes; or, for commercial users, for 5 years from date of purchase.
- 5 year limited warranty on electronic parts (other than batteries); or, for commercial users, for 1 year from the date of purchase. No warranty is provided on batteries.



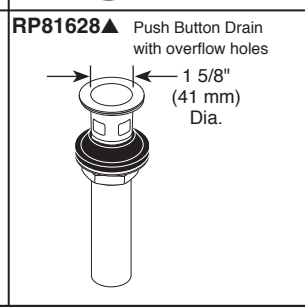
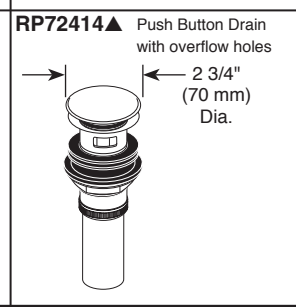
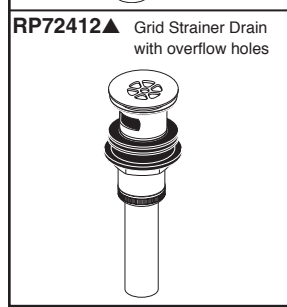
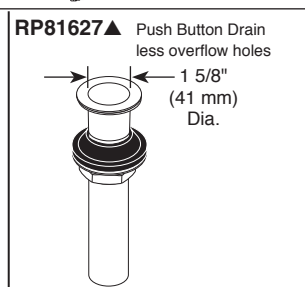
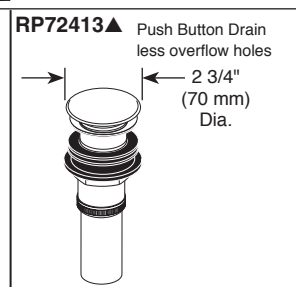
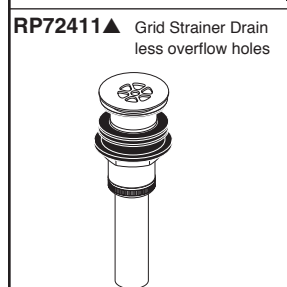
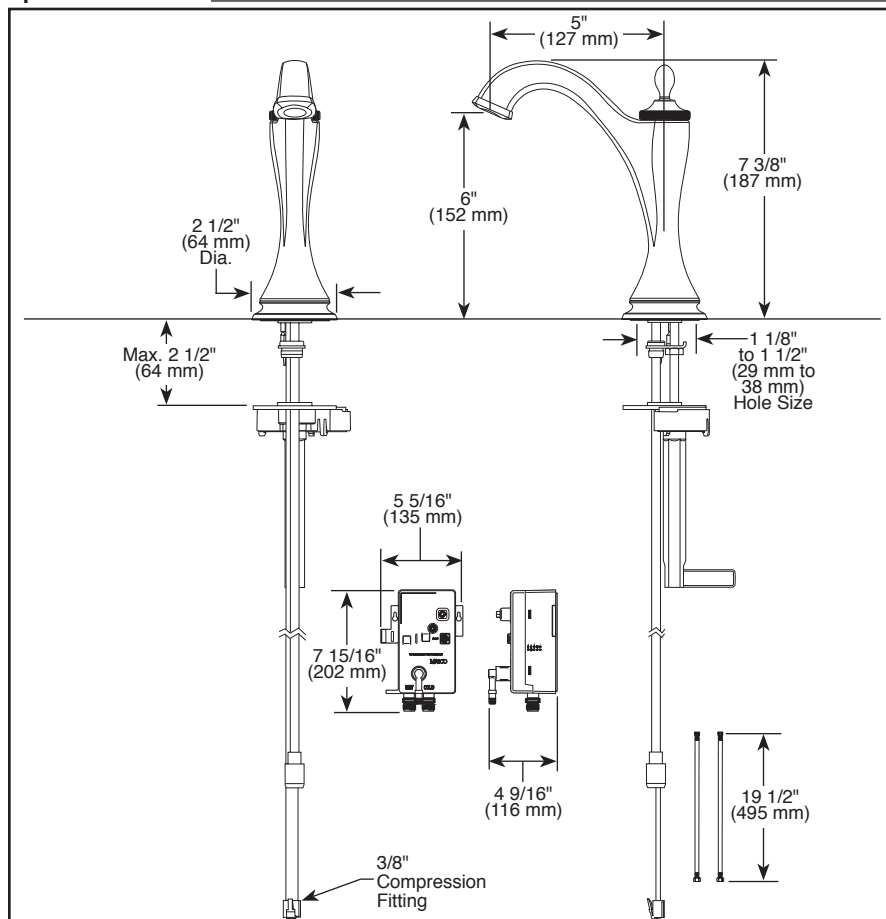
COMPLIES WITH:

- ASME A112.18.1 / CSA B125.1
- ASME A112.18.2 / CSA B125.2
- Indicates compliance to ICC/ANSI A117.1
- EPA WaterSense®
- Verified compliant with 0.25% weighted average Pb content regulations
- ASSE 1070 temperature limiting



Submitted Model No.: _____

Specific Features: _____



▲ Designate proper finish suffix

Brizo Kitchen & Bath Company reserves the right (1) to make changes in specifications and materials, and (2) to change or discontinue models, both without notice or obligation. Dimensions are for reference only. See current full-line price book or www.brizo.com for finish options and product availability.

BSP-L-65685LF Rev. 1

Brizo Kitchen & Bath Company
 Indianapolis, Indiana 46280
 A Division of Masco Corporation of Indiana
 © 2016 Brizo Kitchen & Bath Company