

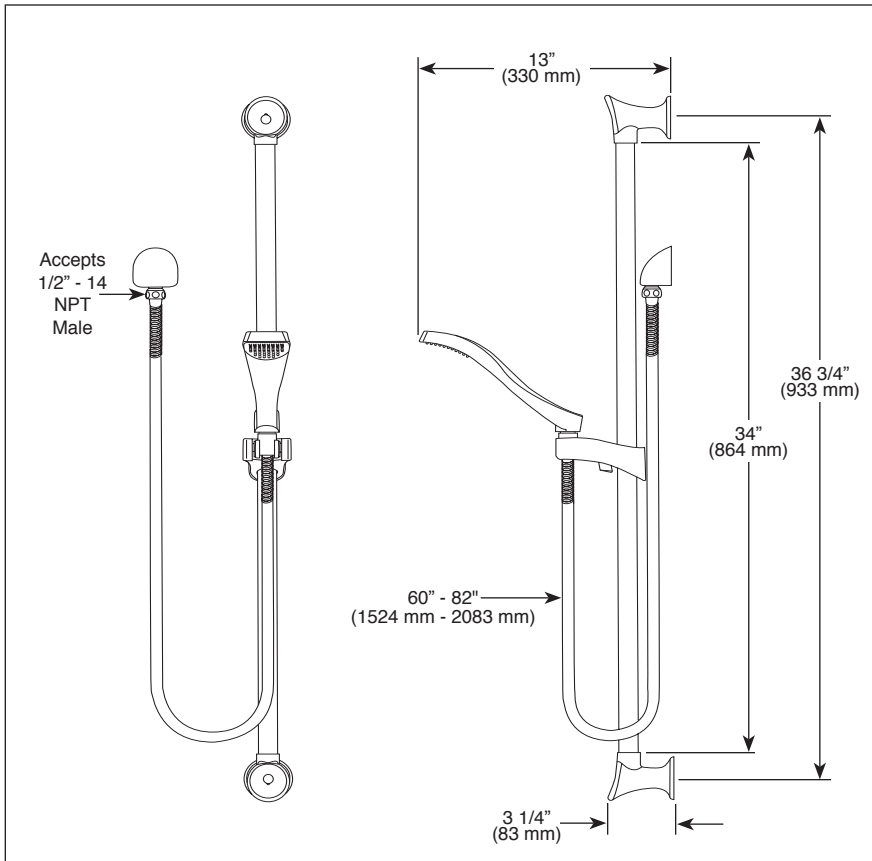
89710▲

BRIZO® HAND SHOWER W/ SLIDE BAR

- RSVP® Bath Collection
- Certified Dual Check Valves
- 34" Wall Bar with Adjustable Height and Angle
- Rub Clean Nubs on Hand Shower
- Wall Mounted Elbow Included

Submitted Model No.: _____

Specific Features: _____



▲ Designate proper finish suffix

Spray Pattern



Full Spray

STANDARD SPECIFICATIONS:

- ABS hand held shower with one spray pattern
- 60" - 82" (1524 mm - 2083 mm) stretchable finished metal hose.
- Certified dual check valves.
- 34" (610 mm) wall bar with adjustable slide (allows for adjustable shower height). Not to be used as a Grab Bar. Not ADA compliant.
- 2.0 gpm @ 80 psi (7.6 L/min @ 552 kPa)

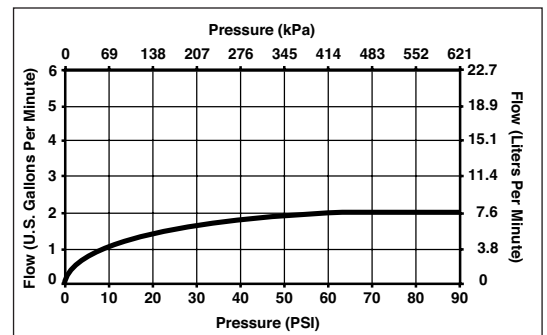
WARRANTY

- Lifetime limited warranty on parts (other than electronic parts and batteries) and finishes: or, for commercial users, for 5 years from date of purchase.
- 5 year limited warranty on electronic parts (other than batteries); or, for commercial users, for 1 year from the date of purchase. No warranty is provided on batteries.



COMPLIES WITH:

- ASME A112.18.1 / CSA B125.1



Delta reserves the right (1) to make changes in specifications and materials, and (2) to change or discontinue models, both without notice or obligation. Dimensions are for reference only. See current full-line price book or www.brizo.com for finish options and product availability.

BSP-B-89710 Rev. E

Delta Faucet Company
Indianapolis, Indiana 46280
A Division of Masco Corporation of Indiana
© 2014 Masco Corporation of Indiana