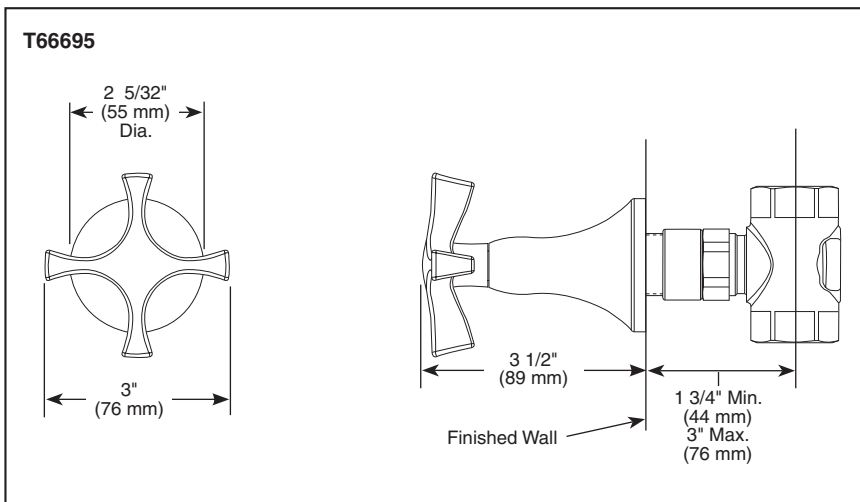
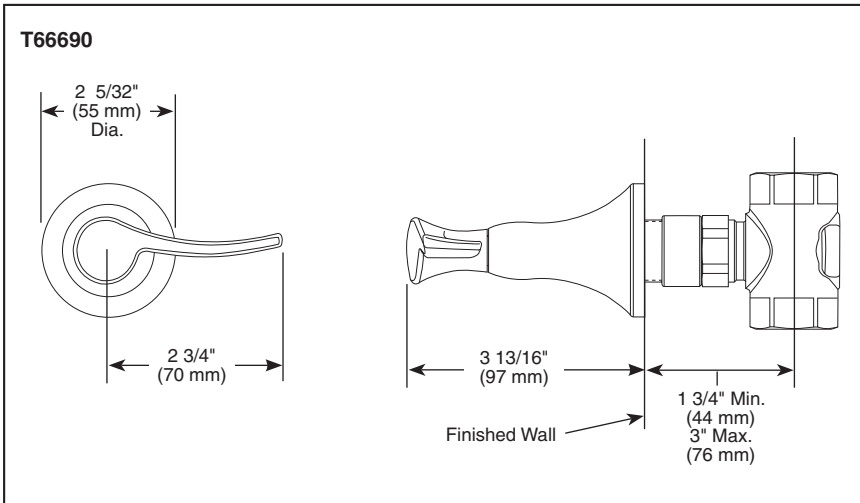


Submitted Model No.: \_\_\_\_\_

Specific Features: \_\_\_\_\_



# BRIZO<sup>®</sup>

## SENSORI<sup>™</sup>

### CUSTOM SHOWER TRIM

- RSVP<sup>™</sup> Collection
- Volume Control Trim

#### STANDARD SPECIFICATIONS

- Must also order R66600 Rough-In.
- 180° handle rotation controls volume only.
- Volume controls are required for every outlet and every 4 body sprays.
- All parts are replaceable from the front.
- Adjusts for wall thickness variations.
- Recommended working pressure of 45-80 PSI.
- Volume control only; must be used with temperature control device.

#### WARRANTY

- Lifetime Faucet and Finish Limited Warranty to the original consumer purchaser to be free from defects in material and workmanship.
- 5 Year Limited Warranty for usage in all industrial, commercial and business applications.



#### COMPLIES WITH:

- ASME A112.18.1 / CSA B125.1
- Indicates compliance to ICC/ANSI A117.1

Delta reserves the right (1) to make changes in specifications and materials, and (2) to change or discontinue models, both without notice or obligation. Dimensions are for reference only. See current full-line price book for finish options and product availability.

BSP-B-T66690 Rev. A

**Delta Faucet Company**  
 Indianapolis, Indiana 46280  
 A Division of Masco Corporation of Indiana  
 © 2009 Masco Corporation of Indiana