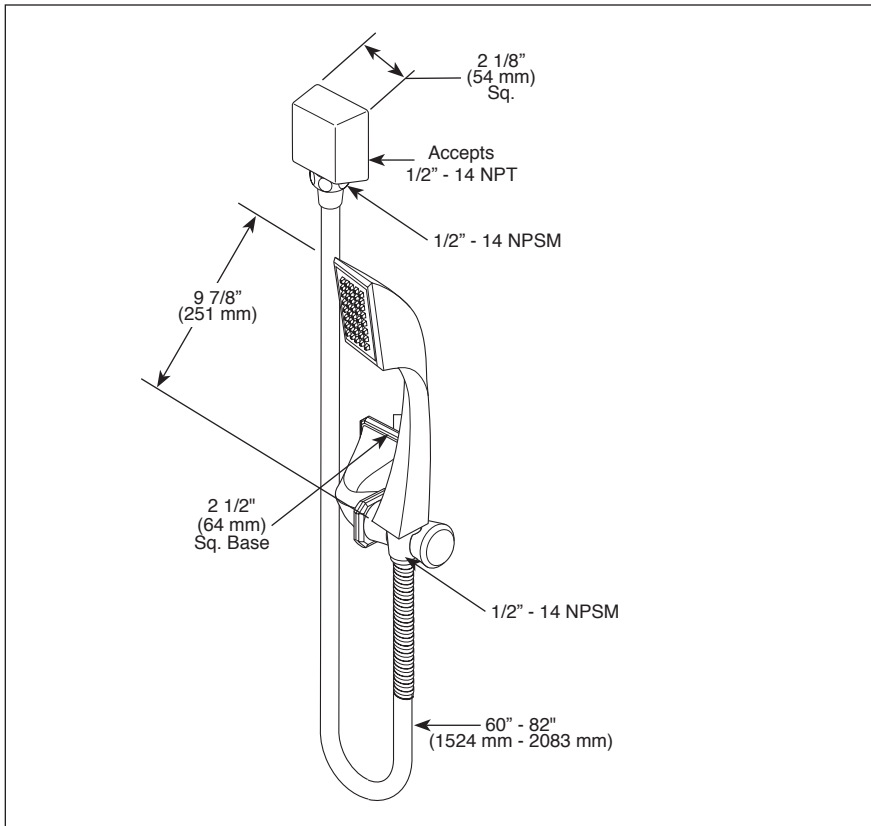


85830▲

Submitted Model No.: \_\_\_\_\_

Specific Features: \_\_\_\_\_



▲ Designate proper finish suffix

**Spray Pattern**



Full Spray

# BRIZO® ON-WALL HAND SHOWER

- Virage® Bath Collection
- Hand Shower with Full Spray Pattern and Touch Clean Nubs
- Certified Dual Check Valves
- Wall Mounted Elbow Included

**STANDARD SPECIFICATIONS:**

- Hand shower with full spray pattern and touch clean nubs.
- Certified dual check valves.
- 2.0 gpm @ 80 psi (7.6 L/min @ 552 kPa)
- 60" - 82" (1524 mm - 2083 mm) stretchable finished metal hose.

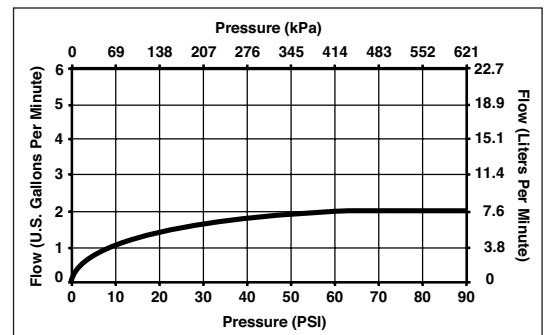
**WARRANTY**

- Lifetime limited warranty on parts (other than electronic parts and batteries) and finishes: or, for commercial users, for 5 years from date of purchase.
- 5 year limited warranty on electronic parts (other than batteries); or, for commercial users, for 1 year from the date of purchase. No warranty is provided on batteries.



**COMPLIES WITH:**

- ASME A112.18.1 / CSA B125.1



Delta reserves the right (1) to make changes in specifications and materials, and (2) to change or discontinue models, both without notice or obligation. Dimensions are for reference only. See current full-line price book or [www.brizo.com](http://www.brizo.com) for finish options and product availability.