

84001



BRIZO®

BODY JET

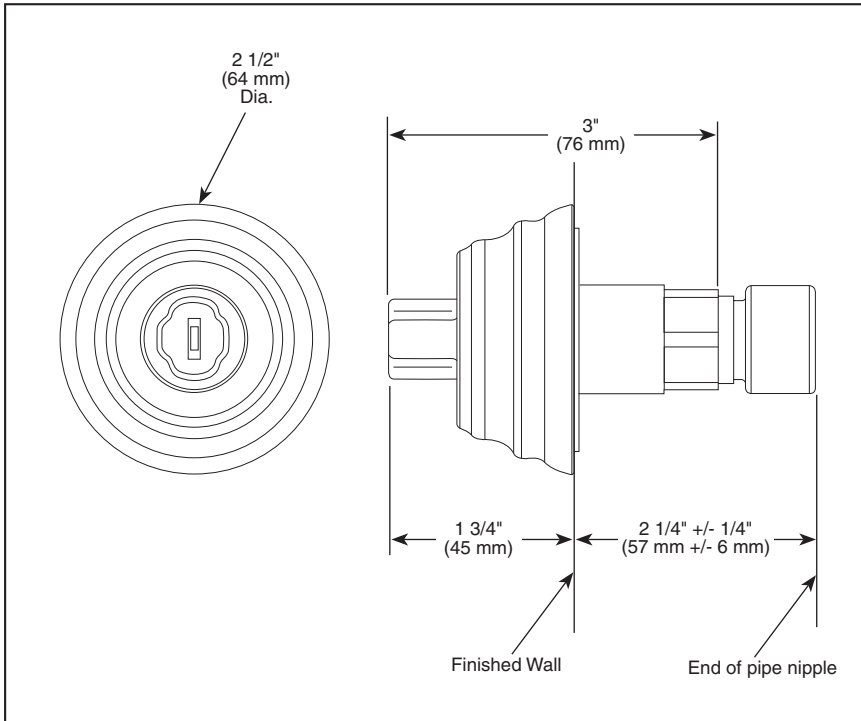
- H₂O Kinetic Body Jet
- 1.8 GPM, Experience of 2.5 GPM
- 1/2" Rough-In

Submitted Model No.: _____

Specific Features: _____

STANDARD SPECIFICATIONS

- Standard 1/2" rough-in.
- Jet rotates 360°.



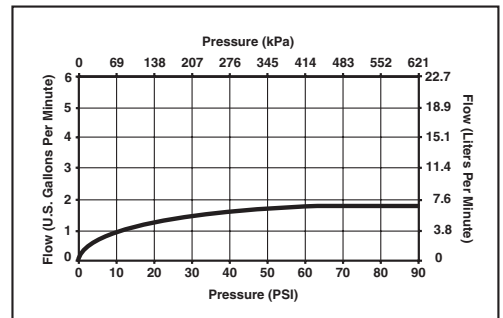
WARRANTY

- Lifetime Faucet and Finish Limited Warranty to the original consumer purchaser to be free from defects in material and workmanship.
- 5 Year Limited Warranty for usage in all industrial, commercial and business applications.



COMPLIES WITH:

- ANSI/ASME A112.18.1 / CSA B125.1
- ICC/ANSI A117.1



Delta reserves the right (1) to make changes in specifications and materials, and (2) to change or discontinue models, both without notice or obligation. Dimensions are for reference only. See current full-line price book for finish options and product availability.

BSP-B-84001 Rev. C

Delta Faucet Company
 Indianapolis, Indiana 46280
 A Division of Masco Corporation of Indiana
 © 2011 Masco Corporation of Indiana