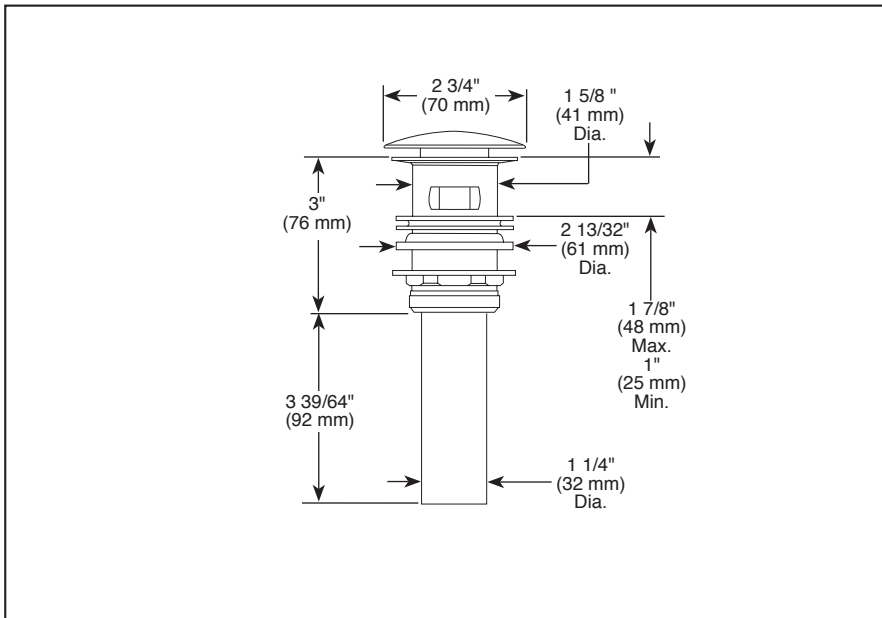


RP72414▲

Submitted Model No.: \_\_\_\_\_

Specific Features: \_\_\_\_\_



▲ Designate Proper Finish Suffix

# BRIZO®

## PUSH BUTTON LAVATORY DRAIN ASSEMBLY

- Push Button Drain
- For Use with Lavatory Sinks with Built-In Overflow Drain Holes

### STANDARD SPECIFICATIONS:

- Push button drain.
- For use with lavatory sinks with built-in overflow drain holes.
- Fits sinks with standard 1 5/8" drain hole size.

### WARRANTY

- Lifetime limited warranty on parts (other than electronic parts and batteries) and finishes: or, for commercial users, for 5 years from date of purchase.
- 5 year limited warranty on electronic parts (other than batteries); or, for commercial users, for 1 year from the date of purchase. No warranty is provided on batteries.



### COMPLIES WITH:

- ASME A112.18.2 / CSA B125.2