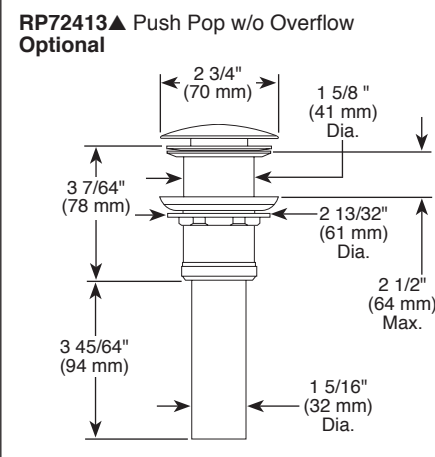
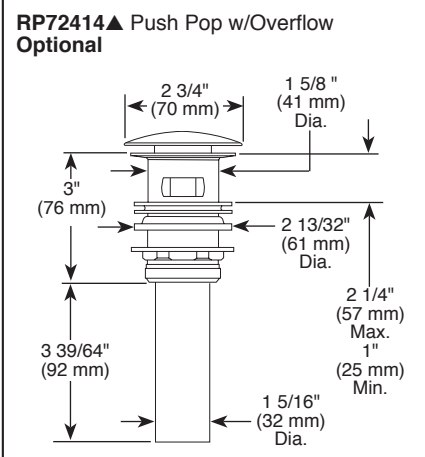
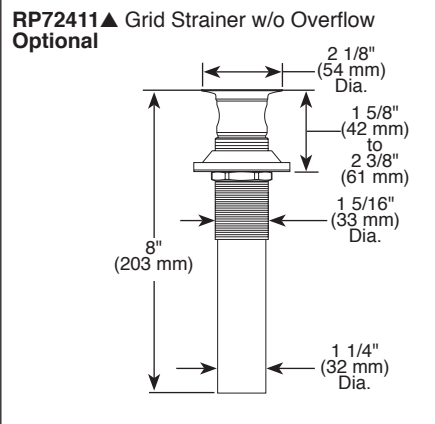
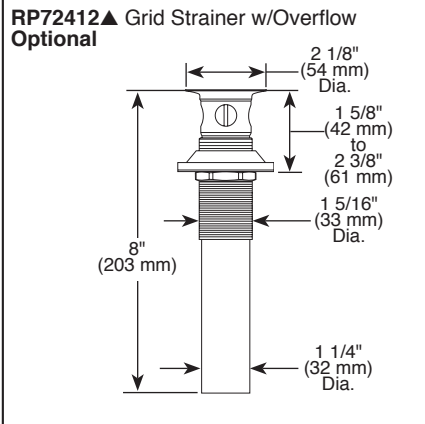
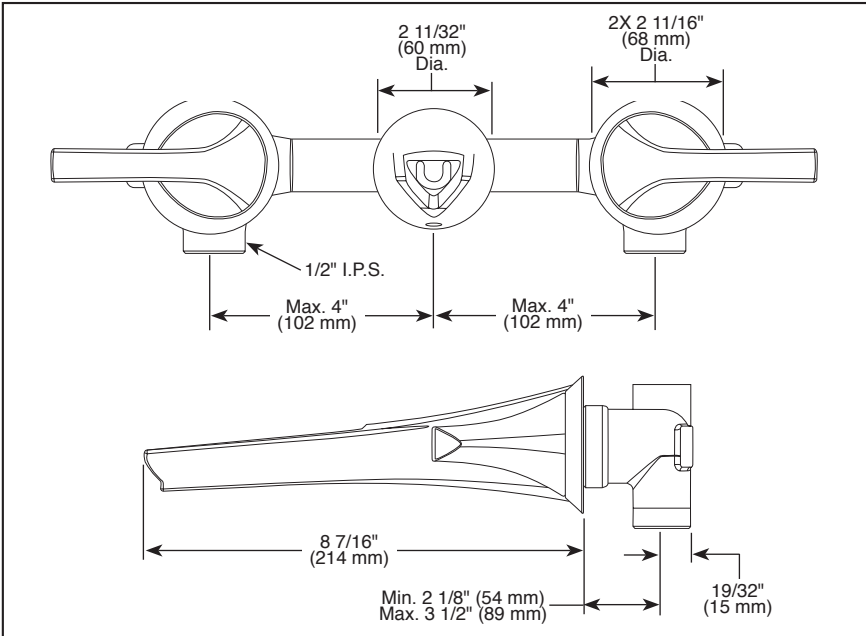


T65851LF▲



Submitted Model No.: _____

Specific Features: _____



▲ Designate Proper Finish Suffix

Delta reserves the right (1) to make changes in specifications and materials, and (2) to change or discontinue models, both without notice or obligation. Dimensions are for reference only. See current full-line price book or www.brizo.com for finish options and product availability.

BSP-L-T65851LF Rev. A

BRIZO®

WALL MOUNT LAVATORY FAUCET TRIM ONLY

- Sotria™ Bath Collection
- Two Handle Wall-Mounted Lavatory
- 3 Hole Applications
- 8" Centers
- Temperature and Volume Controlled With Handles
- 8 7/16" Solid Metal Spout

STANDARD SPECIFICATIONS:

- Two handle lavatory faucet for concealed mounting on 3 hole applications.
- 8 7/16" solid metal spout.
- Control mechanism shall be of the rotating ceramic cylinder type with 90° (1/4 turn) rotation.
- 8" Center, 4" distance between holes.
- 1 1/2" recommended hole size.
- Rough-in dimensions: 2 1/8" to 3 1/2".
- 1/2" I.P.S. inlets.
- Optional push button drain assembly or grid strainer available separately.
- Maximum flow rate 1.5 gpm @ 60 PSI.
- Trim only; must also order rough (R65800).

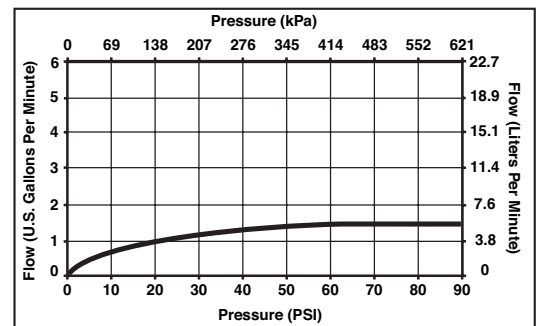
WARRANTY

- Lifetime limited warranty on parts (other than electronic parts and batteries) and finishes: or, for commercial users, for 5 years from date of purchase.
- 5 year limited warranty on electronic parts (other than batteries); or, for commercial users, for 1 year from the date of purchase. No warranty is provided on batteries.



COMPLIES WITH:

- ASME A112.18.1 / NSF B125.1
- Indicates compliance to ICC/ANSI A117.1
- EPA WaterSense®
- Verified compliant with .25% weighted average Pb content regulations.



Delta Faucet Company

55 E. 111th Street, Indianapolis, Indiana 46280
 350 South Edgeware Road, St. Thomas, ON N5P 4L1
 © 2014 Masco Corporation of Indiana