

BRIZO[®] ON-WALL HAND SHOWER

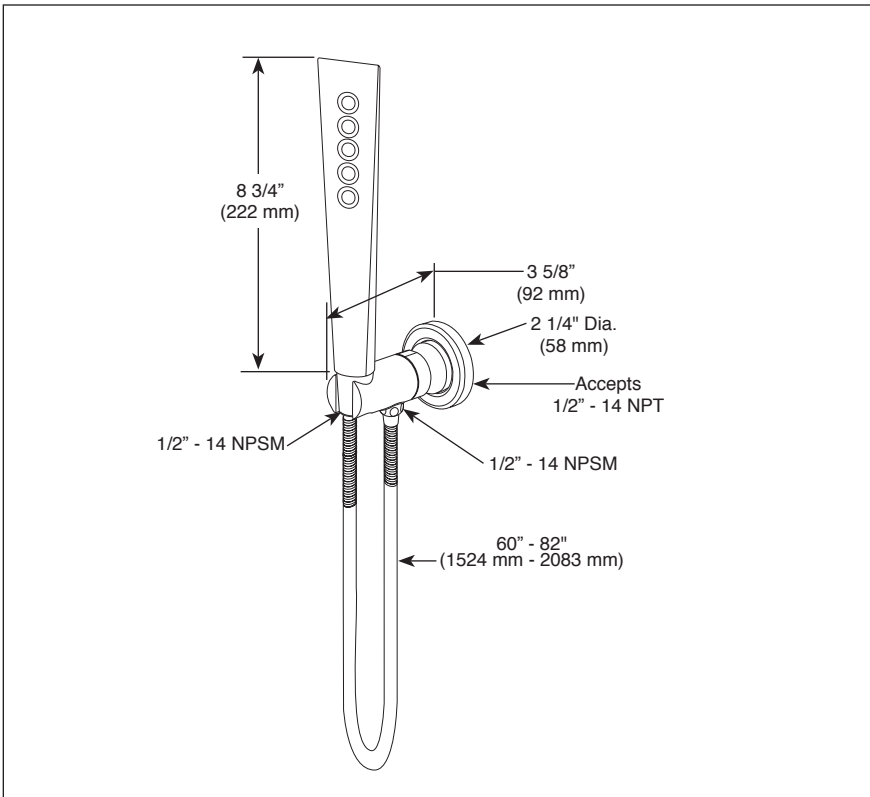
■ Sotria™ Bath Collection

STANDARD SPECIFICATIONS:

- Single function handshower featuring H₂Okinetic Technology[®].
- Certified dual check valves for backflow prevention.
- 2.0 gpm @ 80 psi (7.6 L/min @ 552 kPa)
- 60-82" (1524mm-2083 mm) stretchable finished metal hose.
- Wall mount bracket with integrated elbow included.

Submitted Model No.: _____

Specific Features: _____



WARRANTY

- Lifetime limited warranty on parts (other than electronic parts and batteries) and finishes: or, for commercial users, for 5 years from date of purchase.
- 5 year limited warranty on electronic parts (other than batteries); or, for commercial users, for 1 year from the date of purchase. No warranty is provided on batteries.



COMPLIES WITH:

- ASME A112.18.1 / CSA B125.1 ◆
- EPA WaterSense[®]

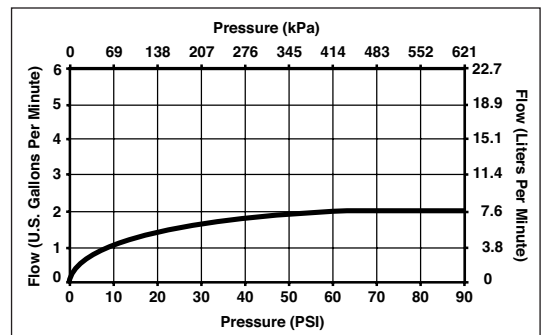
▲ Designate proper finish suffix

Spray Pattern



H₂Okinetic
Technology[®]

- ◆ Your Brizo Faucet hand shower incorporates a backflow protection system that has been tested to be in compliance with ASME A112.18.3. It incorporates two certified check valves in series, which operate independently and are integral, non-serviceable parts of the wand assembly.



Delta reserves the right (1) to make changes in specifications and materials, and (2) to change or discontinue models, both without notice or obligation. Dimensions are for reference only. See current full-line price book or www.brizo.com for finish options and product availability.

BSP-B-88850 Rev. B

Delta Faucet Company

Indianapolis, Indiana 46280
A Division of Masco Corporation of Indiana
© 2014 Masco Corporation of Indiana