

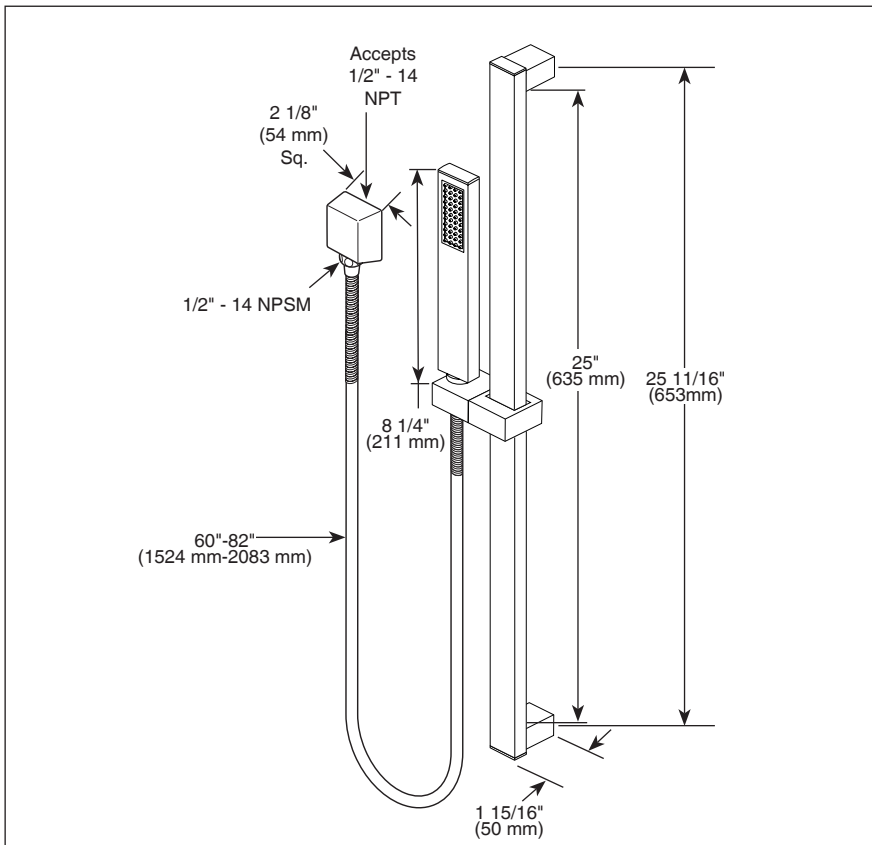
85780▲

BRIZO® HAND SHOWER W/ SLIDE BAR

■ Siderna™ Bath Collection

Submitted Model No.: _____

Specific Features: _____



▲ Designate proper finish suffix

Spray Pattern



Full Spray

- ◆ Your Brizo Faucet hand shower incorporates a backflow protection system that has been tested to be in compliance with ASME A112.18.3, CSA B125.1 and ASME A112.18.1. It incorporates two certified check valves in series, which operate independently and are integral, non-serviceable parts of the wand assembly.

STANDARD SPECIFICATIONS:

- Hand shower with full spray pattern and touch clean nubs.
- Certified dual check valves.
- 2.0 gpm @ 80 psi (7.6 L/min @ 552 kPa)
- 25" (635 mm) wall bar with adjustable slide (allows for adjustable shower height). Not to be used as a Grab Bar. Not ADA compliant.
- 60" (1524 mm) - 82" (2083 mm) stretchable finished metal hose.

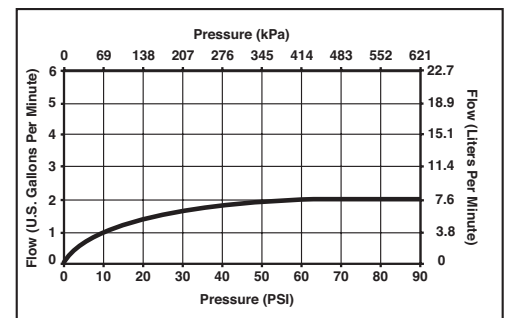
WARRANTY

- Lifetime limited warranty on parts (other than electronic parts and batteries) and finishes: or, for commercial users, for 5 years from date of purchase.
- 5 year limited warranty on electronic parts (other than batteries); or, for commercial users, for 1 year from the date of purchase. No warranty is provided on batteries.



COMPLIES WITH:

- ASME A112.18.1 / CSA B125.1 ◆
- ASME A112.18.3



Delta reserves the right (1) to make changes in specifications and materials, and (2) to change or discontinue models, both without notice or obligation. Dimensions are for reference only. See current full-line price book or www.brizo.com for finish options and product availability.

BSP-B-85780 Rev. A

Delta Faucet Company

55 E. 111th Street, Indianapolis, Indiana 46280
350 South Edgeware Road, St. Thomas, Ontario, Canada N5P 4L1
© 2013 Masco Corporation of Indiana