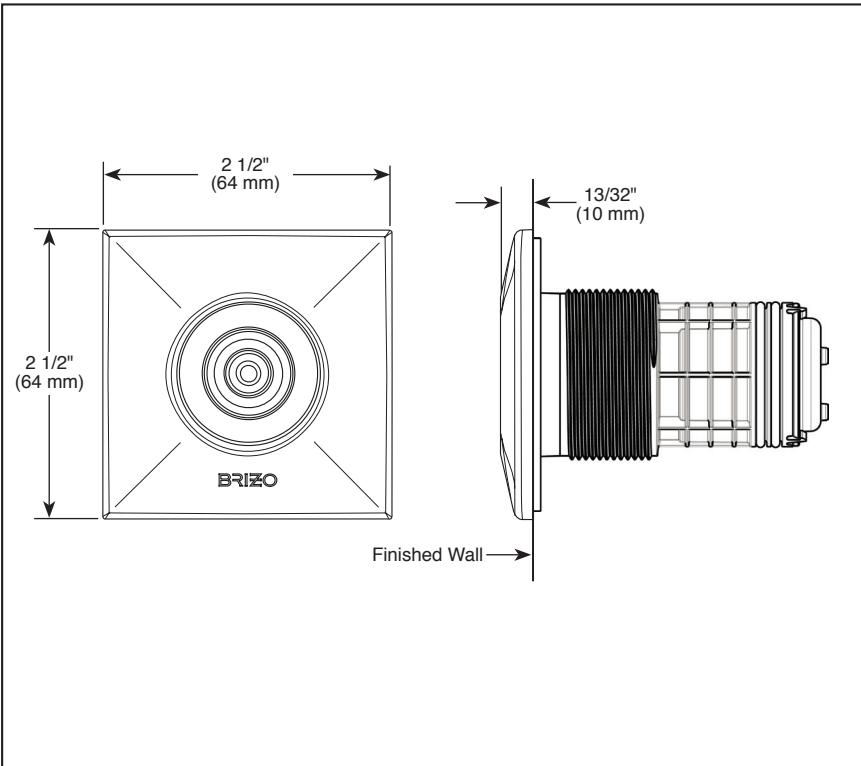


Submitted Model No.: _____

Specific Features: _____



▲ Designate proper finish suffix

BRIZO®

HYDRACHOICE™ MAX SQUARE BODY SPRAY TRIM

■ 1.5 GPM

STANDARD SPECIFICATIONS

- Flush mount installation.
- Must also order rough (R84100) and spray heads (SH84100▲, SH84101▲, SH84102▲, or SH84103▲) separately.
- 1.5 gpm @ 80 PSI, 5.7 L/min @ 550 kPa.

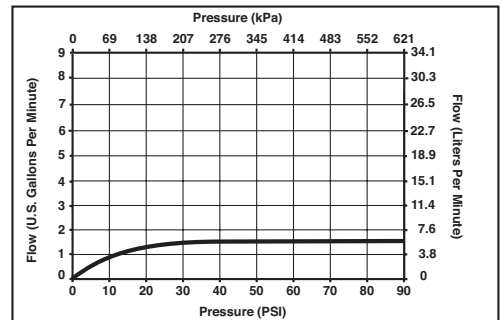
WARRANTY

- Lifetime Faucet and Finish Limited Warranty to the original consumer purchaser to be free from defects in material and workmanship.
- 5 Year Limited Warranty for usage in all industrial, commercial and business applications.



COMPLIES WITH:

- ASME A112.18.1 / CSA B125.1



Delta reserves the right (1) to make changes in specifications and materials, and (2) to change or discontinue models, both without notice or obligation. Dimensions are for reference only. See current full-line price book or www.brizo.com for finish options and product availability.

BSP-B-T84913 Rev. A

Delta Faucet Company
Indianapolis, Indiana 46280
A Division of Masco Corporation of Indiana
© 2014 Masco Corporation of Indiana