

BRIZO®

NON-DIVERTER TUB SPOUT

■ Vettis® Bath Collection

STANDARD SPECIFICATIONS:

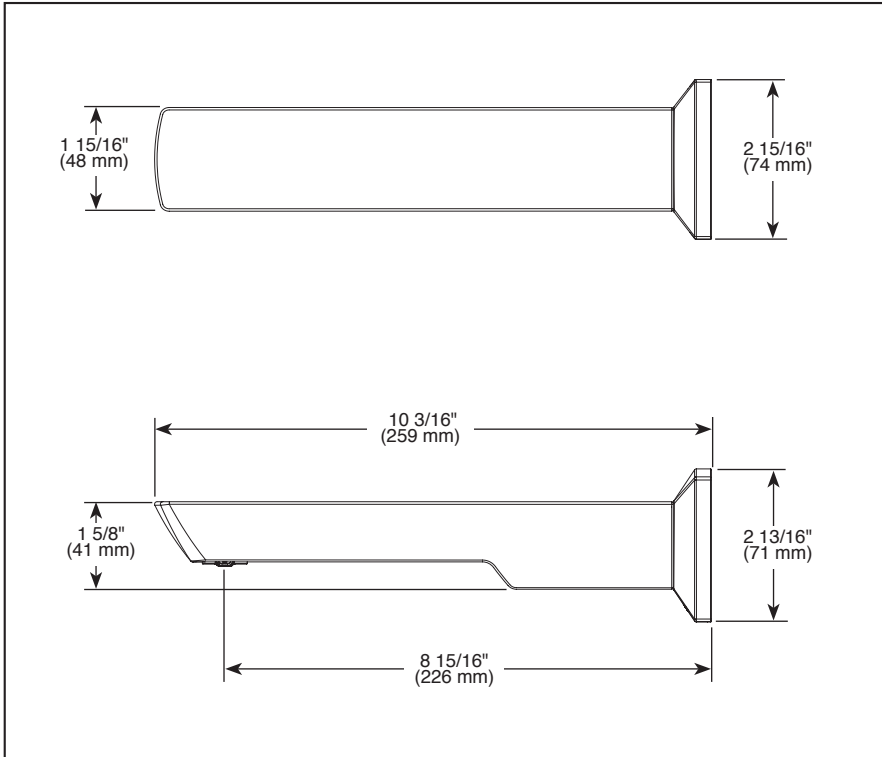
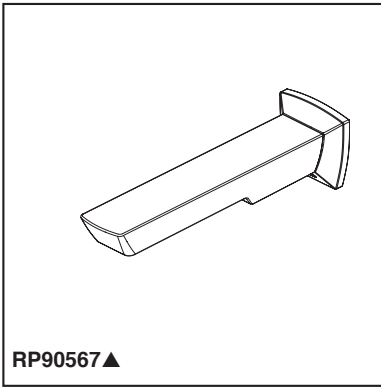
- Non-diverter tub spout
- Solid brass construction
- Universal adapter included (RP90472) allows for sweat or slip onto 1/2" CWT or thread onto 1/2" NPT
- Spout features hidden stream straightener
- Tub spout can be installed with shower diverter systems

WARRANTY

- Parts and Finish - Lifetime limited warranty; or for commercial purchasers, 10 years for multi-family residential (apartments and condominiums) and 5 years for all other commercial uses, in each case from the date the product is received by the original purchaser or their authorized representative (installation contractor, etc.).
- Please go to www.brizo.com for the complete details of our limited warranty.

COMPLIES WITH:

- ASME A112.18.1 / CSA B125.1



▲ Designate proper finish suffix

Brizo Kitchen & Bath Company reserves the right (1) to make changes in specifications and materials, and (2) to change or discontinue models, both without notice or obligation. Dimensions are for reference only. See current full-line price book or www.brizo.com for finish options and product availability.

BSP-B-RP90567 Rev. C

Brizo Kitchen & Bath Faucet Company

55 E. 111th Street, Carmel, IN 46280
350 South Edgeware Road, St. Thomas, ON N5P 4L1
© 2025 Brizo Kitchen & Bath Faucet Company