

BRIZO®

TEMPASSURE® THERMOSTATIC VALVE WITH INTEGRATED DIVERTER TRIM

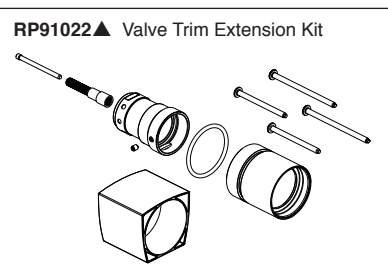
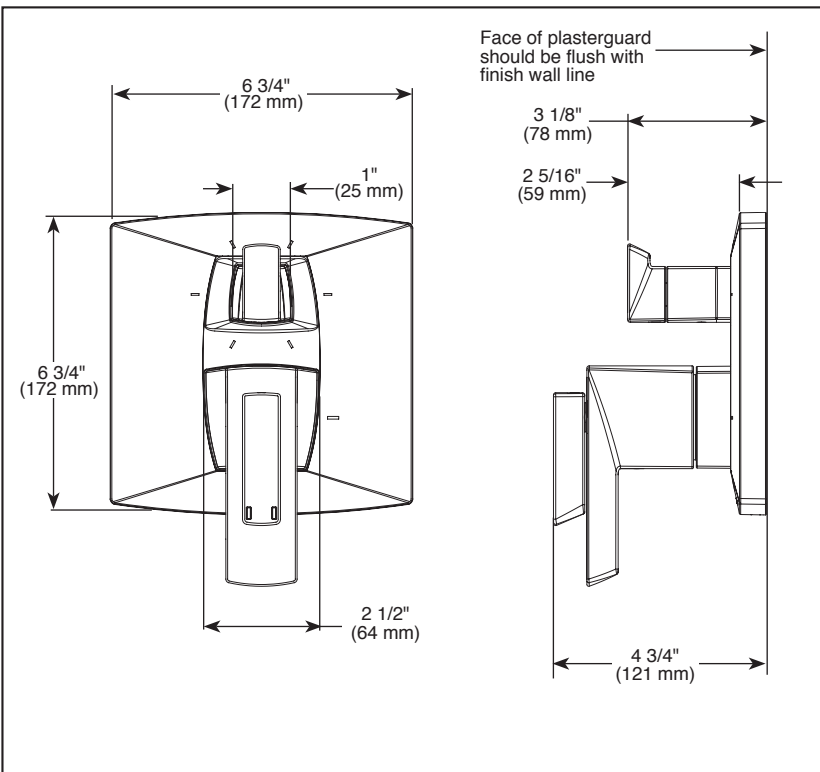
- Vettis® Bath Collection
- MultiChoice® Valve Trim with Three Function Diverter (T75588)
- MultiChoice® Valve Trim with Six Function Diverter (T75688)

FEATURES:

- TempAssure® thermostatic valve cartridge
- Three or six function diverter

STANDARD SPECIFICATIONS:

- Main control utilizes TempAssure® thermostatic valve cartridge.
- Thermostatic wax element maintains the outlet temperature to $\pm 3.6^\circ$ F.
- Back-to-back installation capability
- For use with MultiChoice® Universal Integrated Shower Diverter Rough (R75000 Series)
- Max. system flow rate 7.2 gpm @ 60 psi with R75000
- Top handle controls diverter functions.
- Bottom (2) handles control volume and temperature.
- Field adjustable to limit temperature handle rotation into hot water zone.
- Bottom volume handle 90° maximum rotation.
- Hot/cold indicator markings.
- Three function diverter (T75588-▲) has 2 individual positions and 1 shared position
- For two individual functions, no shared functions, order additional RP72123
- Six function diverter (T75688-▲) has 3 individual positions and 3 shared positions
- For three individual functions, no shared functions, order additional RP72124
- 1/2" rough-in.
- Cartridges included.
- Standard installation allows up to 1-1/8" finished wall thickness.
- Optional extension kits RP91022▲ and RP92548 can accommodate up to 1" of additional wall thickness. Both RP kits required.



▲ Designate Proper Finish Suffix



WARRANTY

- Parts and Finish - Lifetime limited warranty; or for commercial purchasers, 10 years for multi-family residential (apartments and condominiums) and 5 years for all other commercial uses, in each case from the date the product is received by the original purchaser or their authorized representative (installation contractor, etc.).
- Please go to www.brizo.com for the complete details of our limited warranty.

COMPLIES WITH:

- ASME A112.18.1 / CSA B125.1
- ASSE 1016 / ASME A112.1016 / CSA B125.16
- ♿ ICC/ANSI A117.1

Brizo Kitchen & Bath Company reserves the right (1) to make changes in specifications and materials, and (2) to change or discontinue models, both without notice or obligation. Dimensions are for reference only. See current full-line price book or www.brizo.com for finish options and product availability.

Brizo Kitchen & Bath Faucet Company

55 E. 111th Street, Carmel, IN 46280
350 South Edgeware Road, St. Thomas, ON N5P 4L1
© 2025 Brizo Kitchen & Bath Faucet Company