

BRIZO®

HYDRACHOICE MAX® ROUND BODY SPRAY TRIM

■ Round Body Spray Trim

STANDARD SPECIFICATIONS:

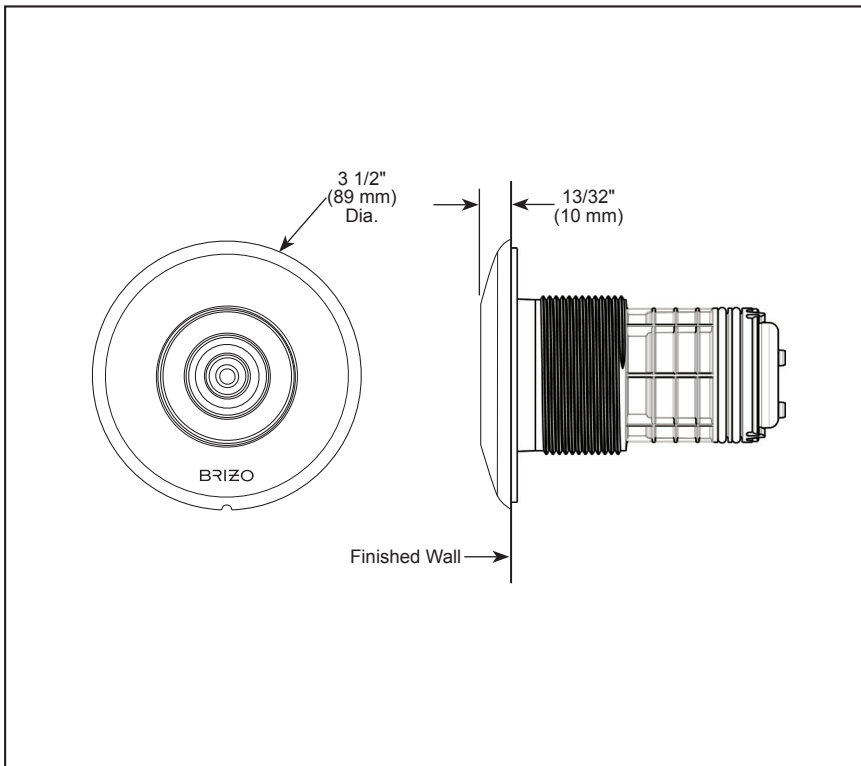
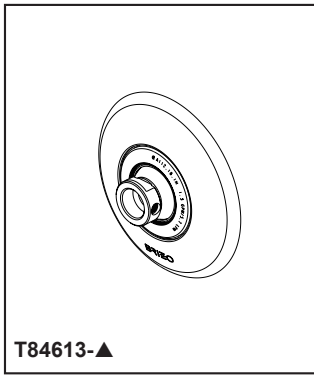
- Max flow rate 1.5 gpm @ 80 psi, 5.7 L/min @ 550 kPa.
- Flush mount installation.
- Must also order rough (R84100) and spray heads (SH84100-▲, SH84101-▲, SH84102-▲, or SH84103-▲) separately.
- Optional (RP82501) reduces flow rate to 1.0 gpm @ 80 psi, 3.8 L/min @ 550 kPa.

WARRANTY

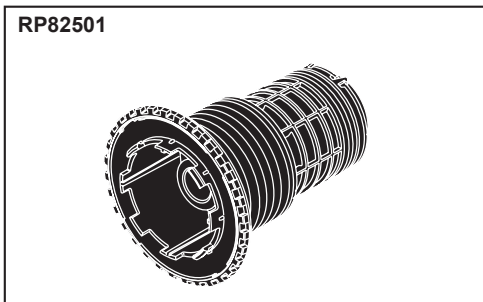
- Parts and Finish - Lifetime limited warranty; or for commercial purchasers, 10 years for multi-family residential (apartments and condominiums) and 5 years for all other commercial uses, in each case from the date the product is received by the original purchaser or their authorized representative (installation contractor, etc.).
- Please go to www.brizo.com for the complete details of our limited warranty.

COMPLIES WITH:

- ASME A112.18.1 / CSA B125.1



▲ Designate proper finish suffix



Brizo Kitchen & Bath Company reserves the right (1) to make changes in specifications and materials, and (2) to change or discontinue models, both without notice or obligation. Dimensions are for reference only. See current full-line price book or www.brizo.com for finish options and product availability.

BSP-B-T84613 Rev. D

Brizo Kitchen & Bath Faucet Company

55 E. 111th Street, Carmel, IN 46280
350 South Edgeware Road, St. Thomas, ON N5P 4L1
© 2025 Brizo Kitchen & Bath Faucet Company