

61320LF-C-▲

BRIZO®

COLD WATER DISPENSERS

- Single Handle Deck Mount
- 1 Hole Sink Applications

FEATURES:

- Diamond Seal® Technology

STANDARD SPECIFICATIONS:

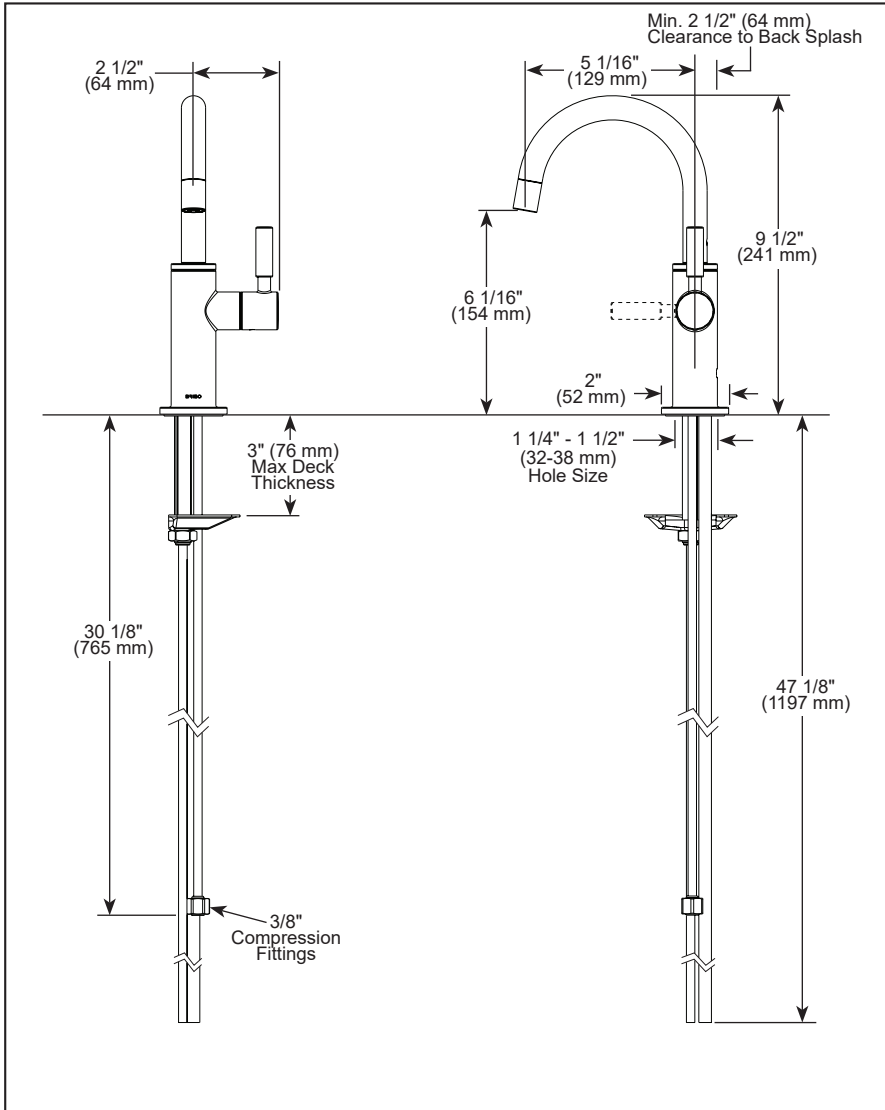
- Max flow rate 1.5 gpm @ 60 psi, 5.7 L/min @ 414 kPa, laminar type flow
- Works with RO systems, filtered water systems, or as a cold water tap
- Spout swings 360°
- Single lever handle design
- Air gap included with 1/4" tube for RO system and 3/8" tube for drain
- Mounting wrench to assist in tightening mounting nut securely
- Integrated supply tube with 3/8" compression fitting

WARRANTY

- Parts and Finish – Lifetime limited warranty; or for commercial purchasers, 10 years for multi-family residential (apartments and condominiums) and 5 years for all other commercial uses, in each case from the date the product is received by the original purchaser or their authorized representative (installation contractor, etc.).
- Please go to www.brizo.com for the complete details of our limited warranty.

COMPLIES WITH:

- ASME A112.18.1 / CSA B125.1
- NSF/ANSI/CAN 61 & 372
- ICC/ANSI A117.1



▲ Designate proper finish suffix