

BRIZO®

KITCHEN FAUCETS

- Odin® Collection
- Semi-Professional Kitchen Faucet

FEATURES:

- MagneDock® Magnetic Docking
- DIAMOND Seal® Technology

STANDARD SPECIFICATIONS:

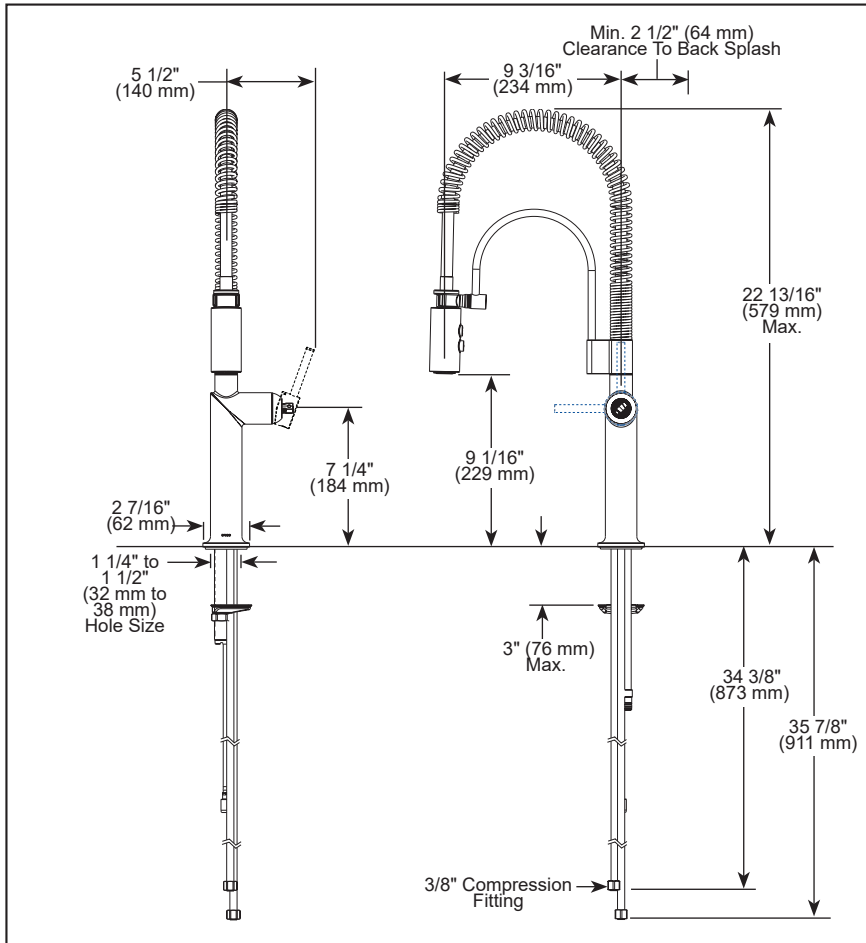
- Max flow rate 1.8 gpm @ 60 psi, 6.8 L/min @ 414 kPa
- One hole mount
- Diamond coated ceramic cartridge
- 3/8" O.D. straight, staggered PEX supply lines
- Arm rotates 360°
- Two-function wand: Aerated stream or spray
- Dual integral check valves in sprayer
- Quick connect hoses
- 23" (584 mm) above-deck exposed hose

WARRANTY

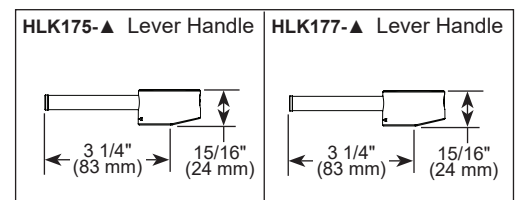
- Parts and Finish – Lifetime limited warranty; or for commercial purchasers, 10 years for multi-family residential (apartments and condominiums) and 5 years for all other commercial uses, in each case from the date the product is received by the original purchaser or their authorized representative (installation contractor, etc.).
- Please go to www.brizo.com for the complete details of our limited warranty.

COMPLIES WITH:

- ASME A112.18.1 / CSA B125.1
- NSF/ANSI/CAN 61 & 372
- ICC/ANSI A117.1 - Valve control only



▲ Designate proper finish suffix



Brizo Kitchen & Bath Company reserves the right (1) to make changes in specifications and materials, and (2) to change or discontinue models, both without notice or obligation. Dimensions are for reference only. See current full-line price book or www.brizo.com for finish options and product availability.

BSP-K-63375LF-LHP Rev. B

Brizo Kitchen & Bath Company

55 E. 111th Street, Carmel, Indiana 46280
 350 South Edgeware Road, St. Thomas, ON N5P 4L1
 © 2026 Brizo Kitchen & Bath Company