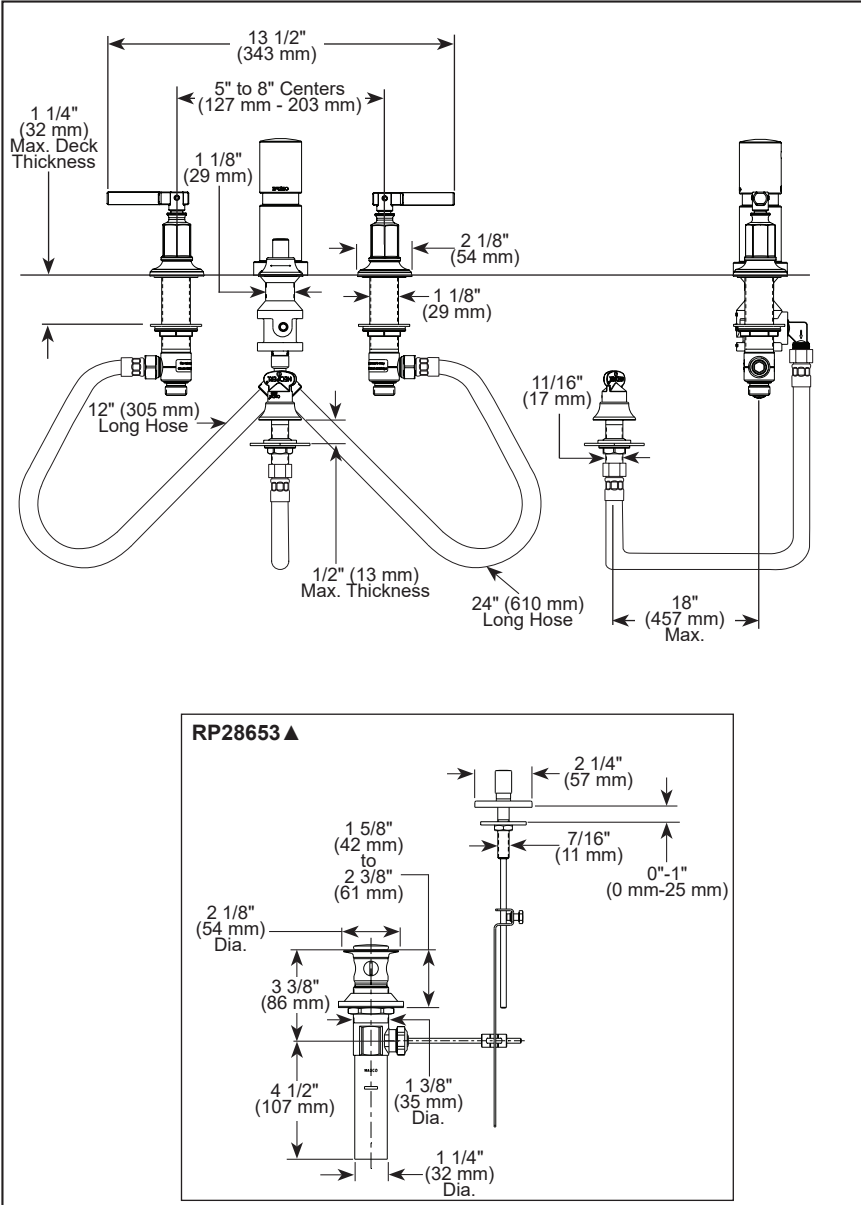
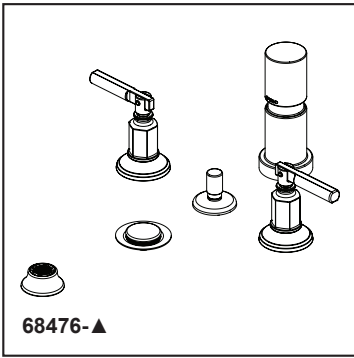


BRIZO®

BIDET FAUCET

■ Invari® Two Handle



▲ Designate proper finish suffix

STANDARD SPECIFICATIONS:

- Three handle bidet faucet for exposed mounting on 4 hole applications
- Control mechanism shall be of the rotating ceramic cylinder type with 90° (1/4 turn) rotation
- Metal drain has pop-up type fitting with plated flange and stopper
- Diverter with integral vacuum breaker
- Directional handle for rim flush or rosette spray douche

WARRANTY

- Parts and Finish – Lifetime limited warranty; or for commercial purchasers, 10 years for multi-family residential (apartments and condominiums) and 5 years for all other commercial uses, in each case from the date the product is received by the original purchaser or their authorized representative (installation contractor, etc.).
- Please go to www.brizo.com for the complete details of our limited warranty.

COMPLIES WITH:

- ASME A112.18.1 / CSA B125.1
- ASME A112.18.2 / CSA B125.2

♿ ICC/ANSI A117.1 - Valve control only

Brizo Kitchen & Bath Company reserves the right (1) to make changes in specifications and materials, and (2) to change or discontinue models, both without notice or obligation. Dimensions are for reference only. See current full-line price book or www.brizo.com for finish options and product availability.

BSP-S-68476 Rev. D

Brizo Kitchen & Bath Company

55 E. 111th Street, Carmel, Indiana 46280
350 South Edgeware Road, St. Thomas, ON N5P 4L1
© 2025 Brizo Kitchen & Bath Company