

**FEATURES**

- Double washbasins made of pressure-cast fireclay.
- Cata-glaze, lifetime treatment. A total bacteria-proof barrier.
- Install wall-hung, semi-inset or sit-on.
- 0, 1 or 3 double faucet holes. Must specify number of holes and hole position.

**OPTIONS**

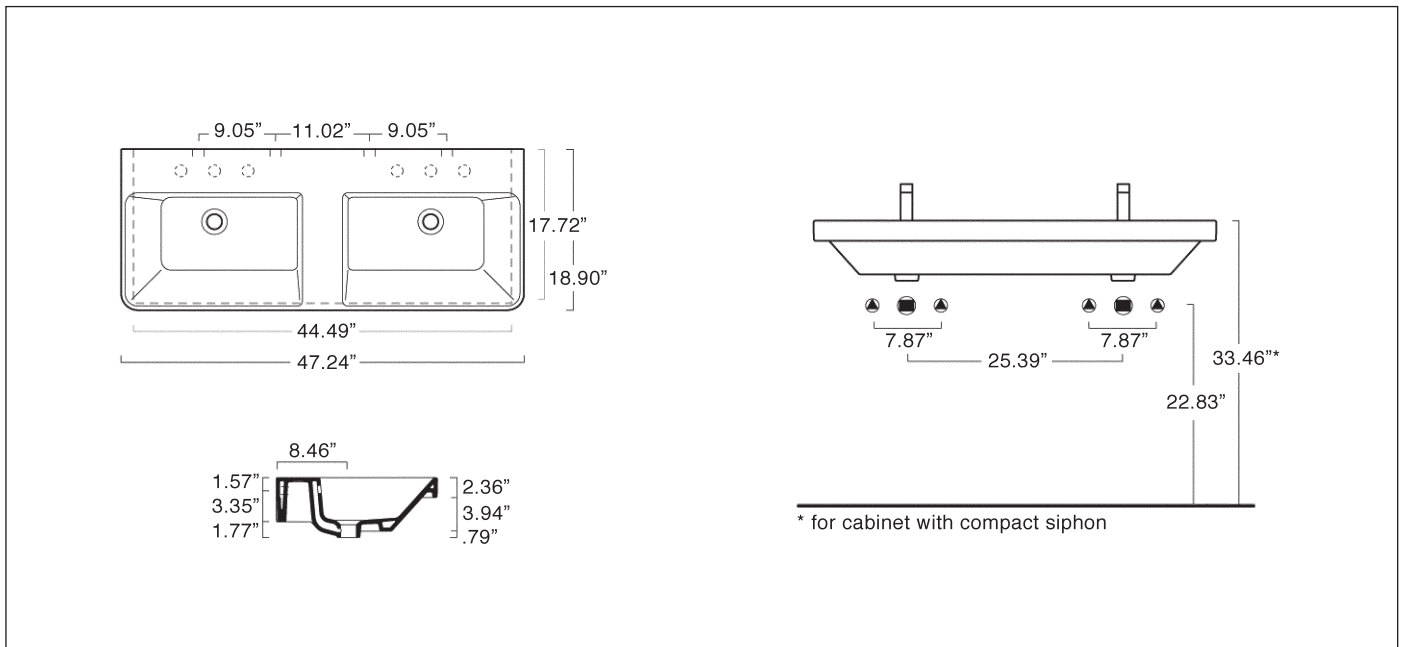
- 5P12PR Front Towel Rail constructed of aluminum with chrome finish (shown right).

**SIZE:** W47.24" x D18.9" x H7.09"

**SHIP WEIGHT:** 66.2 lbs.

**To Be Specified:**

	Model No.	Color
<input type="checkbox"/>	1120PR4800	White



**PROIEZIONI**