

**FEATURES**

- Single washbasin made of pressure-cast fireclay.
- Cata-glaze, lifetime treatment. A total bacteria-proof barrier.
- Install wall-hung or on pedestal.
- 1 up to 3 faucet holes. Must specify number of holes and hole position.

**OPTIONS**

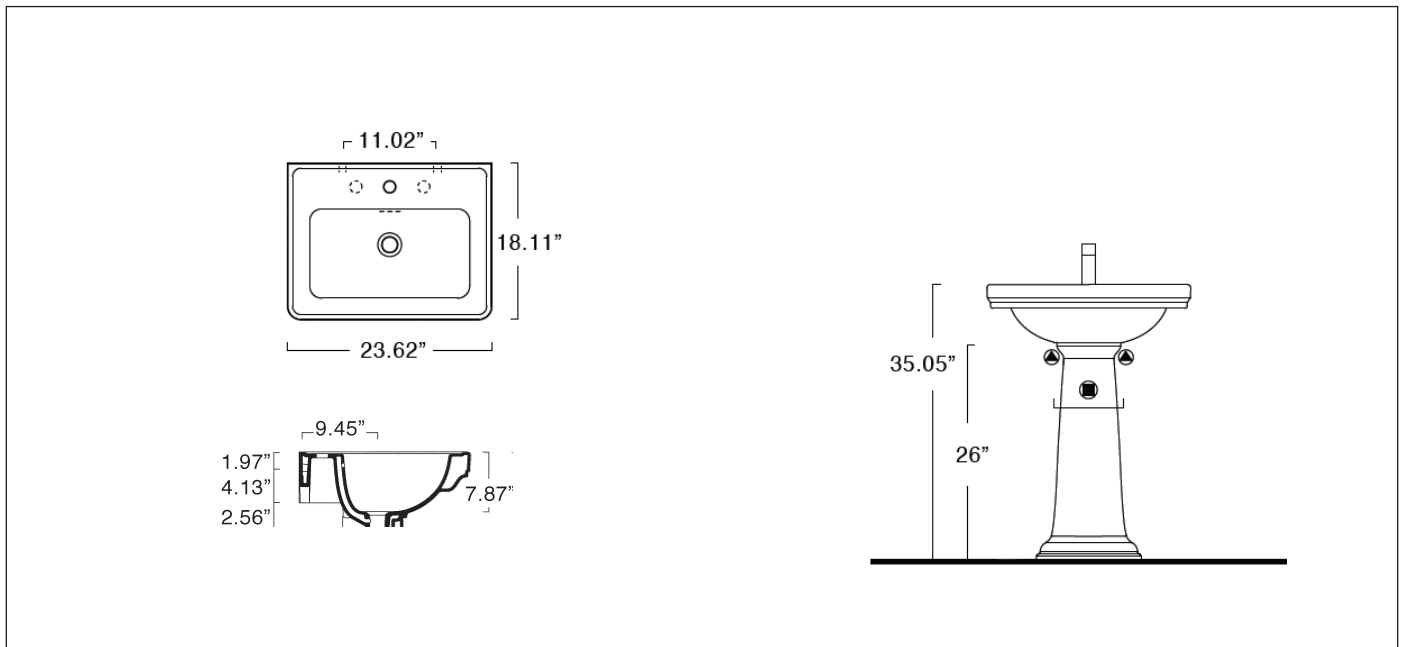
- 5P60CV Front Towel Rail constructed of brass with chrome finish (shown right).
- 1COCV Pedestal pressure-cast fireclay. W11.81" x H26" Ship Wt: 31 lbs

**SIZE:** W23.62" x D18.11" x H9.06"

**SHIP WEIGHT:** 39.11 lbs.

**To Be Specified:**

	Model No.	Color
<input type="checkbox"/>	160CV00	White



**CANOVA ROYAL**