

CHICAGO FAUCETS

a Geberit company

2100 South Clearwater Drive
Des Plaines, IL 60018
Phone: 847-803-5000
Fax: 847-803-5454
www.chicagofaucets.com

REPAIR PARTS

FITTING NO.

201-AGN2AE3ABCP

SUBMITTED MODEL NO.

BY: JAR

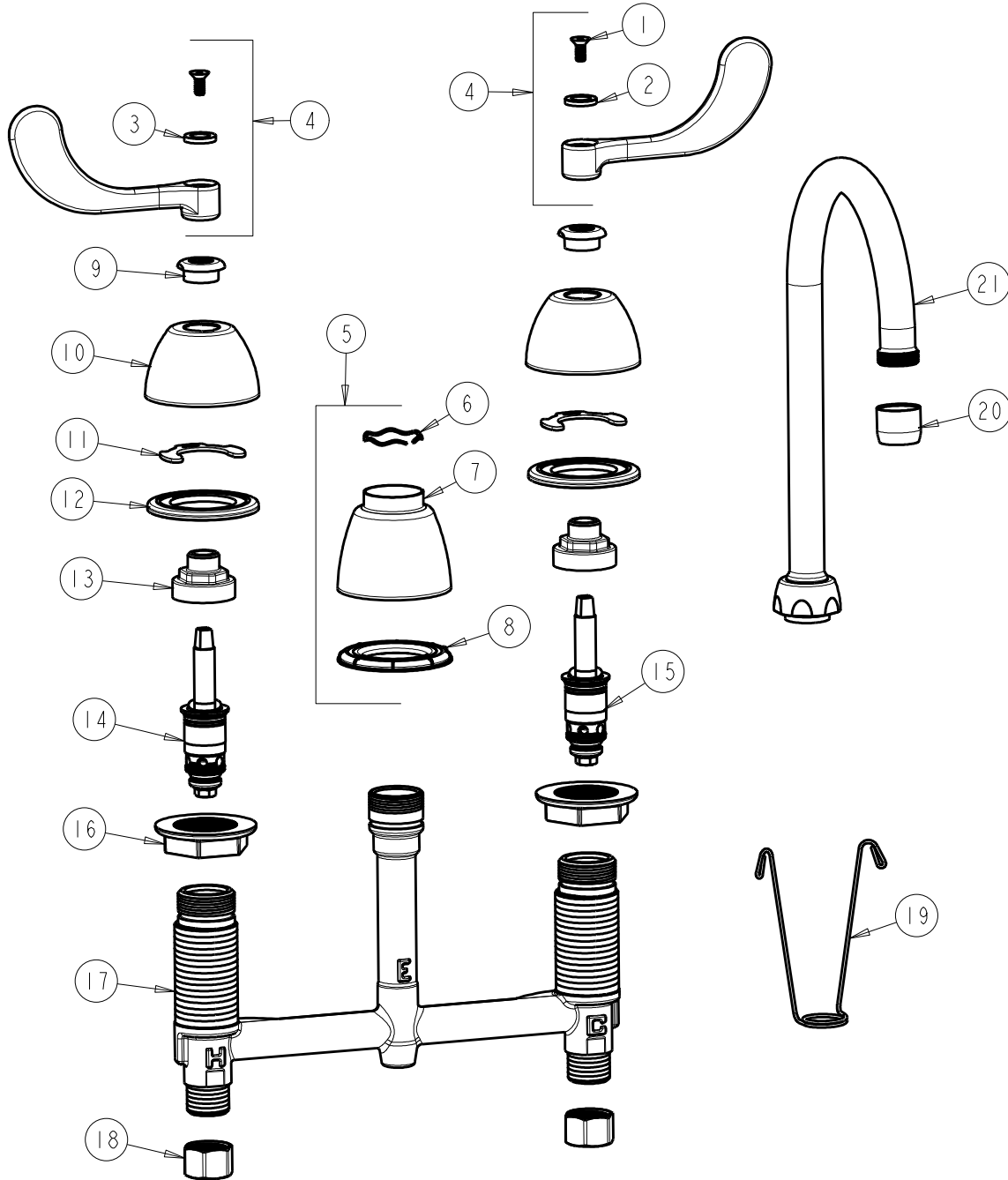
DATE: 05-20-15

CHK: *JAR*

REV:

ITEM NO.

FOR TECHNICAL ASSISTANCE
1-800-TEC-TRUE (1-800-832-8783)



ITEM	PART NO.	DESCRIPTION	ITEM	PART NO.	DESCRIPTION
1	420-020JKNF	SCREW, 1/8 FLAT HEX HEAD X 1/2	12	888-026JKNF	WASHER, SEALING
2	633-123JKNF	INDEX BUTTON (BLUE)	13	274-014JKRBF	NUT, CAP
3	633-023JKNF	INDEX BUTTON (RED)	14	377-XTLHJKABNF	LH QUATURN CARTRIDGE
4	317-PRJKCP	HANDLE, 4" WRISTBLADE (PAIR)	15	377-XTRHJKABNF	RH QUATURN CARTRIDGE
5	785-400KJKCP	KIT, SPOUT ESCUTCHEON	16	250-004JKNF	LOCKNUT
6	50-038JKNF	WAVE WASHER	17	-----	BODY, VALVE
7	785-400JKCP	ESCUTCHEON, SPOUT BASE	18	49-005JKRBF	COUPLING NUT
8	888-027JKNF	SPOUT ESCUTCHEON WASHER	19	200-008JKNF	HANGER
9	422-113JKCP	ESCUTCHEON NUT	20	E3JKABCP	SOFTFLO AERATOR 2.2 GPM
10	250-082JKCP	ESCUTCHEON	21	GN2AJKABCP	SPOUT, GN SPOUT 5-1/4" C-C
11	200-009JKNF	CLIP, RETAIN			



a Geberit company

2100 South Clearwater Drive
Des Plaines, IL 60018
Phone: 847-803-5000
Fax: 847-803-5454
www.chicagofaucets.com

REPAIR PARTS

BY:

DATE:

CHK:

REV:

FITTING NO.

SUBMITTED MODEL NO.

ITEM NO.

FOR TECHNICAL ASSISTANCE
1-800-TEC-TRUE (1-800-832-8783)