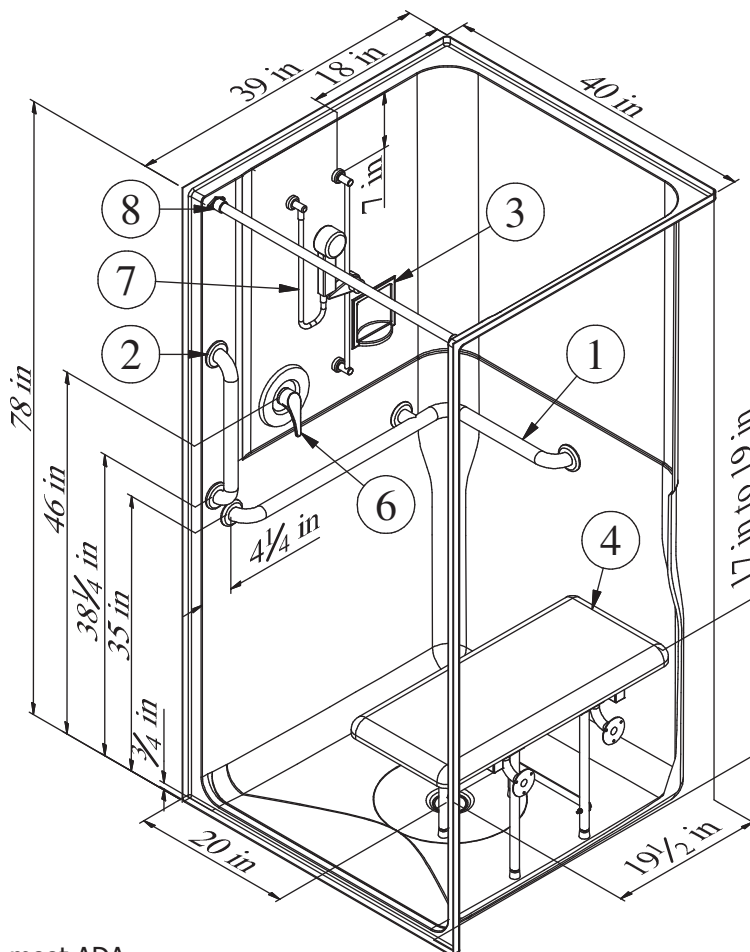


Left Hand Version (MP3940LBF34CD) Shown

*We recommend all units with a 3/4" threshold use the available collapsible threshold.



This unit is accessorized to meet ADA & ANSI accessibility requirement.

MP3940LBF34CD or MP3940RBF34CD

40" [1016mm] Barrier-Free Shower w/ 3/4" [19mm] Threshold & Center Drain

RECOMMENDED ACCESSORIES

- | | |
|--------------------------------|--|
| 1. #503218TS GRAB BAR | 6. #CH-SSMV-1 MIXING VALVE |
| 2. #5018 GRAB BAR | 7. #ZHGB-24 HAND HELD SHWR |
| 3. #660 SOAP DISH | 8. #CR-35 1/4 CURTAIN ROD |
| 4. #400-33.5"-SDL FOLDING SEAT | 9. CURTAIN (Not Shown) |
| 5. BRASS DRAIN (Not Shown) | 10. Collapsible Threshold Kit 2.5a (Not Shown) |

Clarion
BATHWARE
44 Amsler Ave.
Shippenville, PA 16254

Phone: (814) 226-5374
Toll Free: (800) 576-9228
Fax: (814) 226-0730
www.clarionbathware.com

Signatures For Approval:

Customer: _____
Arch./Engr: _____

Date: _____

Quote #: _____
Job Name: _____

DWG. #

MP3940LBF34CD or
RBF34CD -ISO

By: NMH
Date 8/18/2014

IMPOTANT NOTICE

Clarion bathware reserves the right to change the design and/or dimensions of its products at any time. This drawing may have been updated since this publication was issued. Before placing an order for any product, refer to our website at www.clarionbathware.com to obtain the most current drawings for any products that you wish to purchase. Compare the date of revision of the drawing that you have with the one on the drawing on our website. If you do not have internet access, please call your sales representative or Clarion Bathware's sales department at 1-800-576-9228.