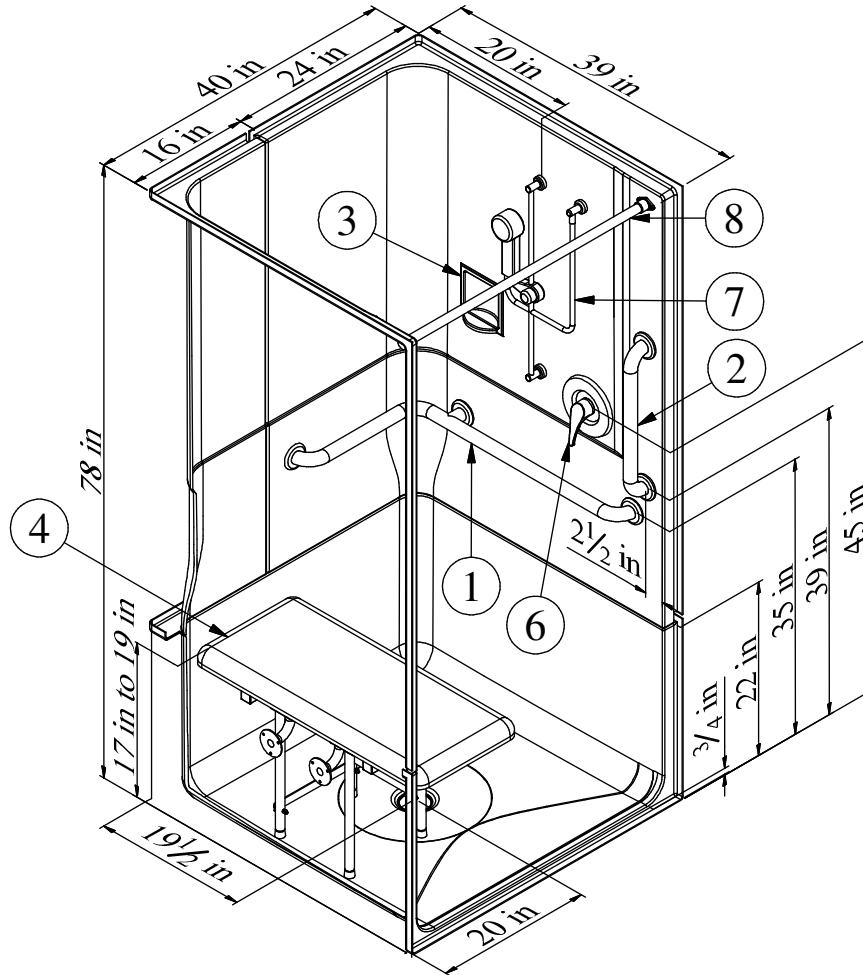


Right Hand Version (MP3940RKD34CD) Shown

*We recommend all units with a 3/4" threshold use the available collapsible threshold.



MP3940LKD34CD or MP3940RKD34CD

40" [1016mm] 3-Piece Barrier Free Shower w/ 3/4" [19mm] Threshold & Center Drain

RECOMMENDED ACCESSORIES

1. #503218TS GRAB BAR

2. #5018 GRAB BAR

3. #660 SOAP DISH

4. #400-33.5-SDL FOLDING SEAT

5. BRASS DRAIN (Not Shown)

6. #CH-SSMV-1 MIXING VALVE

7. #ZHGB-24 HAND HELD SHWR

8. #CR-35 1/4 CURTAIN ROD

9. CURTAIN (Not Shown)

10. Collapsible Threshold Kit 2.5a (Not Shown)

Clarion
BATHWARE
44 Amsler Ave.
Shipperville, PA 16254

Phone: (814) 226-5374
Toll Free: (800) 576-9228
Fax: (814) 226-0730
www.clarionbathware.com

Signatures For Approval:

Customer: _____

Arch./Engr: _____

Quote #: _____

Job Name: _____

Date: _____

DWG. #

MP3940LKD34CD or
RKD34CD -ISO

By: NMH

Date: 8/18/2014

IMPOTANT NOTICE

Clarion bathware reserves the right to change the design and/or dimensions of its products at any time. This drawing may have been updated since this publication was issued. Before placing an order for any product, refer to our website at www.clarionbathware.com to obtain the most current drawings for any products that you wish to purchase. Compare the date of revision of the drawing that you have with the one on the drawing on our website. If you do not have internet access, please call your sales representative or Clarion Bathware's sales department at 1-800-576-9228.