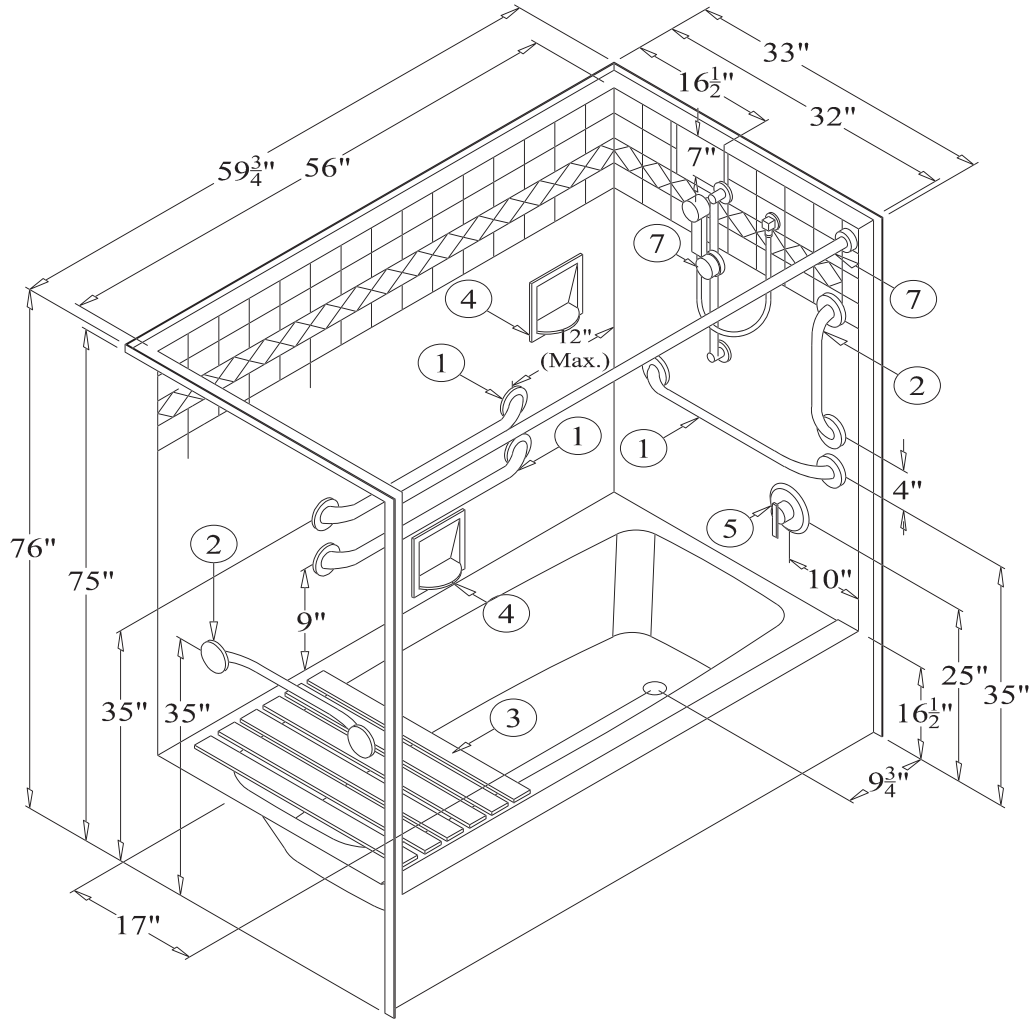


Right Hand Version (MP8011R) Shown



MP8011L or MP8011R

59 3/4" [1518mm] Titled Tub/Shower w/ 16-1/2" [419mm] Apron & Left or Right Hand Drain

RECOMMENDED ACCESSORIES

- | | |
|------------------------------|----------------------------|
| 1. #5024 GRAB BAR (Qty 3) | 5. #CH-SSMV-1 MIXING VALVE |
| 2. #5018 GRAB BAR (Qty 2) | 6. #ZHGB-24 HAND HELD SHWR |
| 3. Folding or Removable SEAT | 7. #CR-55 CURTAIN ROD |
| 4. #660 SOAP DISH (Qty 2) | 8. CURTAIN (Not Shown) |

Clarion
BATHWARE
44 Amsler Ave.
Shippenville, PA 16254

Phone: (814) 226-5374
Toll Free: (800) 576-9228
Fax: (814) 226-0730
www.clarionbathware.com

Signatures For Approval: _____ Date: _____
Customer: _____
Arch./Engr: _____
Quote #: _____
Job Name: _____

Dwg. #
MP8011L or R-ISO

Dwg. By: NMH
DATE: 8/26/2014

*** IMPORTANT NOTICE ***

Clarion Bathware reserves the right to change the design and/or dimensions of its products at any time. This drawing may have been updated since this publication was issued. Before placing an order for any product, refer to our website at www.clarionbathware.com to obtain the most current drawings for any products that you wish to purchase. Compare the date of revision of the drawing that you have with the one on the drawing on our website. If you do not have internet access, please call your sales representative or Clarion Bathware's sales department at 1-800-576-9228.