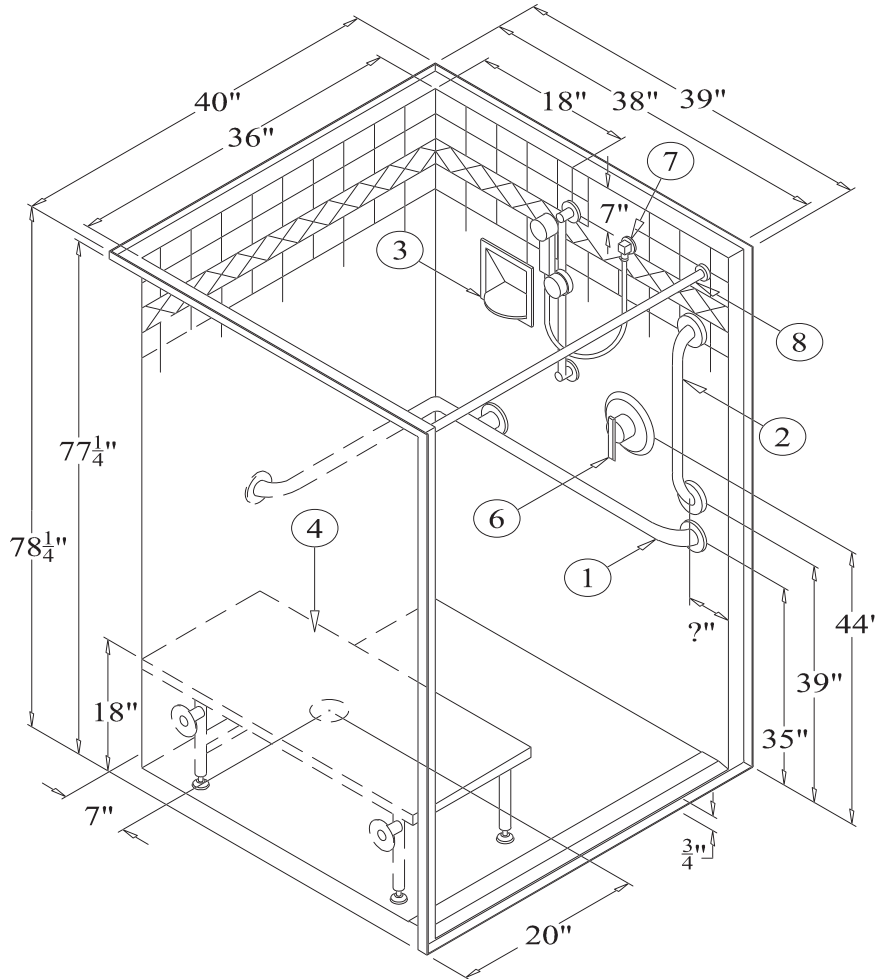


Right Hand Version (MP8940RBF34) Shown

\*We recommend all units with a 3/4" threshold use the available collapsible threshold.



**MP8940LBF34 or MP8940RBF34**

40" [1016mm] Simulated Tile Barrier-Free Shower w/ 3/4" [19mm] Threshold & Rear Center Drain

RECOMMENDED ACCESSORIES

- |                                  |                                                |
|----------------------------------|------------------------------------------------|
| 1. #503218TS GRAB BAR            | 6. #CH-SSMV-1 MIXING VALVE                     |
| 2. #5018 GRAB BAR                | 7. #ZHGB-24 HAND HELD SHWR                     |
| 3. #660 SOAP DISH                | 8. #CR-36 CURTAIN ROD                          |
| 4. #400 N/L-LH-33.5" SHOWER SEAT | 9. CURTAIN (Not Shown)                         |
| 5. BRASS DRAIN (Not Shown)       | 10. Collapsible Threshold Kit 2.5a (Not Shown) |

**Clarion**  
BATHWARE  
44 Amsler Ave.  
Shippenville, PA 16254

Phone: (814) 226-5374  
Toll Free: (800) 576-9228  
Fax: (814) 226-0730  
www.clarionbathware.com

Signatures For Approval:

Customer: \_\_\_\_\_ Date: \_\_\_\_\_  
Arch./Engr: \_\_\_\_\_

Quote #: \_\_\_\_\_  
Job Name: \_\_\_\_\_

Dwg. #  
MP8940LBF34  
or RBF34-ISO

Dwg. By: NMH  
DATE: 8/22/2014

\*\*\* IMPORTANT NOTICE \*\*\*

Clarion Bathware reserves the right to change the design and/or dimensions of its products at any time. This drawing may have been updated since this publication was issued. Before placing an order for any product, refer to our website at [www.clarionbathware.com](http://www.clarionbathware.com) to obtain the most current drawings for any products that you wish to purchase. Compare the date of revision of the drawing that you have with the one on the drawing on our website. If you do not have internet access, please call your sales representative or Clarion Bathware's sales department at 1-800-576-9228.