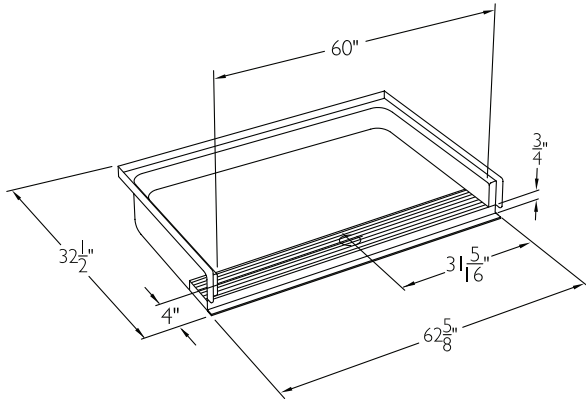


CD Product Sheet

TRENCH DRAIN SHOWER SYSTEM

6232TR .75 (BASE)

OD 62.625" x 32.5" x 4.5" ID 60" x 30" center point
 6232TR .75 shown in drawing



STANDARD FEATURES

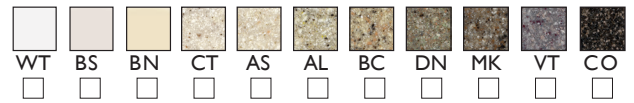
Integral trench drain
 3/4" threshold height with barrier free interior design
 Solid Surface finish- 30 year limited warranty or
 AcrylX™ finish- 30 year limited warranty
 GripSure textured floor

NOTICE OF LIMITATION

Recess as needed to meet code
 Adhere to floor as required

CODE COMPLIANT
 Enhancing Livable Design

FINISH COLOR SELECTION (Check One)



SOLID SURFACE: WT-white, BN-bone, BS-biscuit, CT-cotton seed, AS-ashley, AL-almond, BC-beach, DN-dune, MK-mink, VT-violet, CO-coco
ACRYLX™: WT-white, BN-bone, BS-biscuit

ADA/ANSI COMPLIANT BASES (Check One)

Includes standard features, available options can be chosen per Modify Package Options below.

SOLID SURFACE BASE
 SSB6232TR .75

ACRYLX™ COMFORT BASE
 XSB6232TR .75

MODIFY PACKAGE OPTIONS

After selecting base model or prepackaged model, select modify package options to add or change options. Add nomenclature in bold to prepackaged model number. Example: MODEL#-I-PB for pressure balancing mixing valve option.

- | | |
|--|---|
| DRAIN | <input type="checkbox"/> DR Drain no caulk brass |
| P3
<i>*not available on solid surface models</i> | <input type="checkbox"/> P3 P3 Armorshield |
| ANTIMICROBIAL | <input type="checkbox"/> SS SmartSilver |
| TRENCH | <input type="checkbox"/> TPT Tamper proof trench |

