

TECHNICAL DATA SHEET

TRENCH DRAIN SHOWER SYSTEM

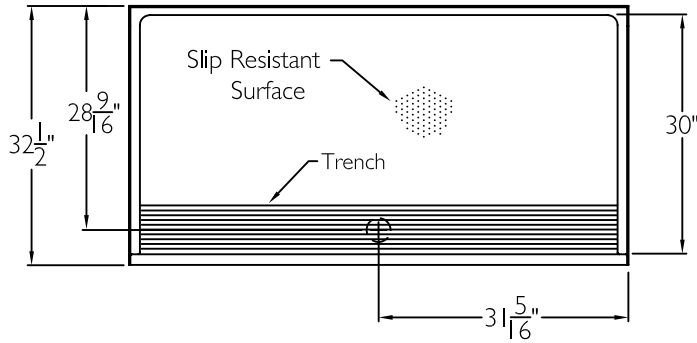
XSB6232TR .75

ADA/ANSI code compliant

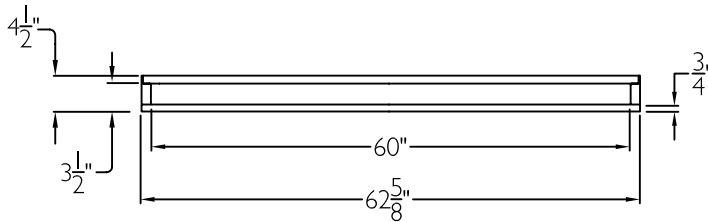
NOTE: For ADA/ANSI compliance, pressure balancing mixing valve, hand-held shower with slide bar, vacuum breaker and 60" hose must be installed per ADA/ANSI guidelines.

CODE COMPLIANT
Enhancing Livable Design

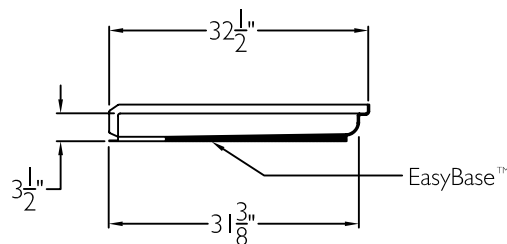
TOP VIEW



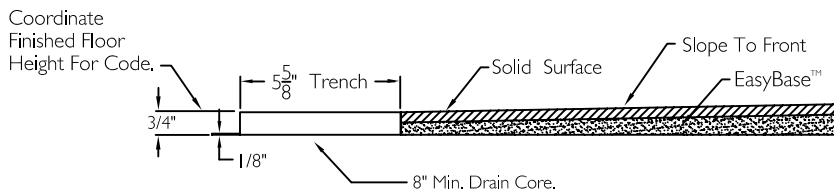
FRONT VIEW



SIDE VIEW



CROSS SECTION OF THRESHOLD



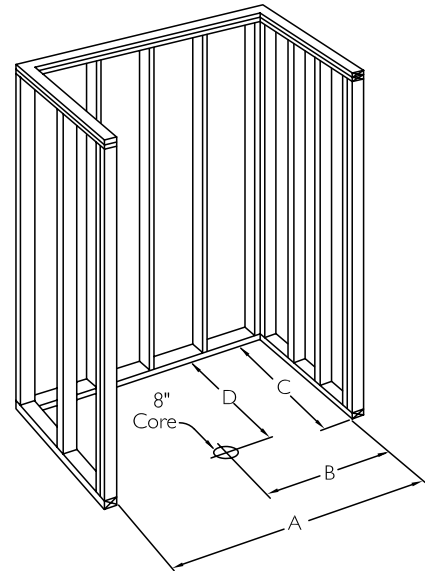
TECHNICAL INFORMATION

OD 62.625" x 32.5" x 4.5"

ID 60" x 30" center point

LOAD FACTOR .22

HANDED BY Center Drain



FRAMING DIMENSIONS

A 62.75" B 31.5"

C 32.5" D 28.5"

ADDITIONAL CODES

ICC/ANSI I 7.1, ANSI 24.2, ADAAG, BOCA, NAHBUPC, Southern Building Code

