

# CD Technical Data Sheet

## COMMERCIAL CODE COMPLIANT

### XSS6233BF-F L-BAR

ADA/ANSI code compliant

NOTE: For ADA/ANSI compliance, pressure balancing mixing valve, hand-held shower with slide bar, vacuum breaker and 60' hose must be installed per ADA/ANSI guidelines.

**CODE COMPLIANT**  
Enhancing Livable Design

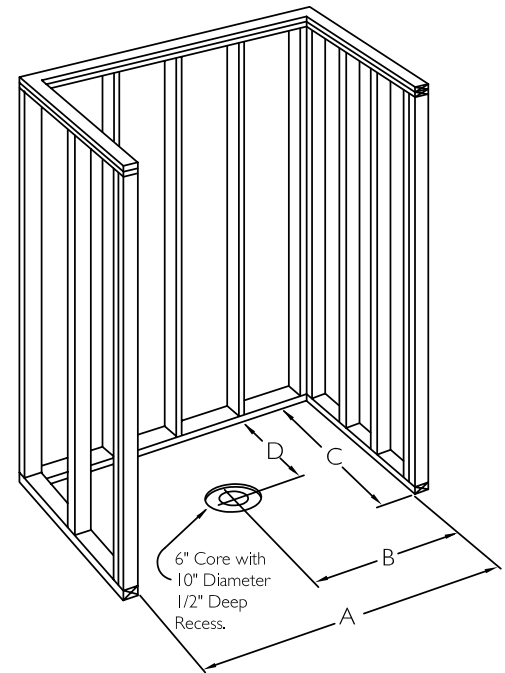
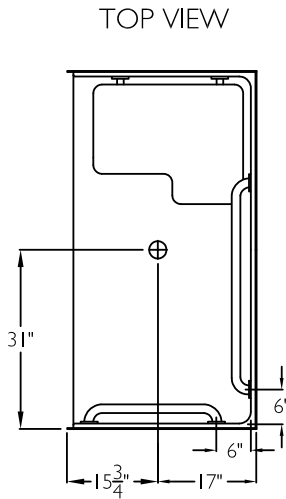
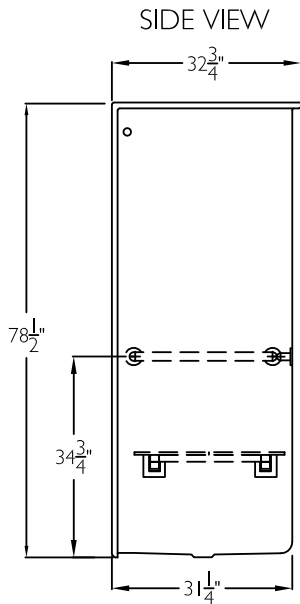
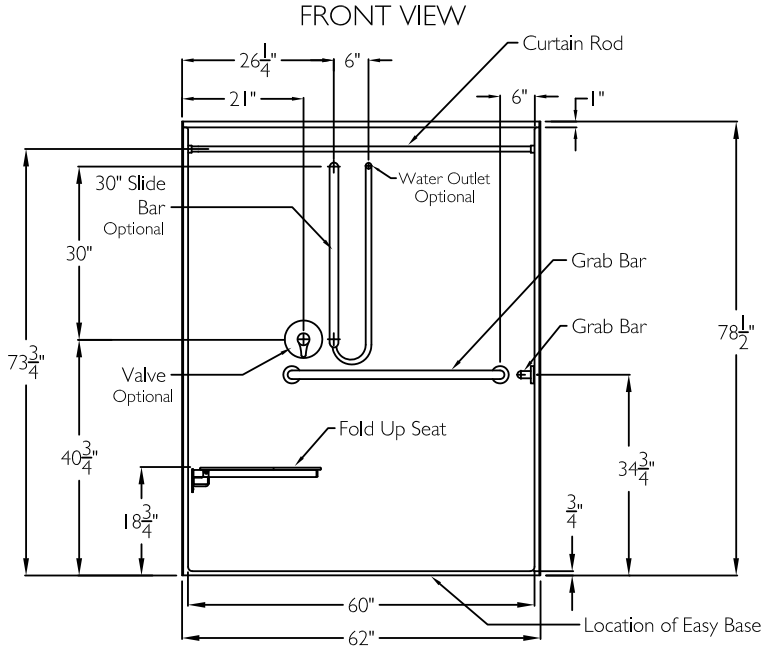
#### TECHNICAL INFORMATION

OD 62" x 32.75" x 78.5"

ID 60" x 30.25" center point

LOAD FACTOR 1.30

HANDED BY Valve Wall



#### FRAMING DIMENSIONS

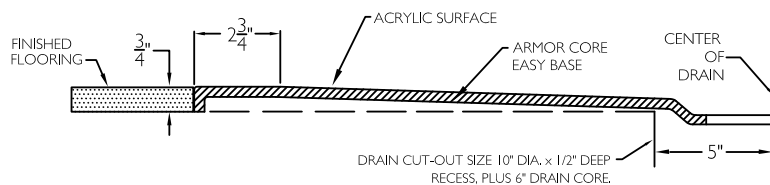
A 62.25" B 31.125"

C 32.75" D 17"

#### ADDITIONAL CODES

ICC/ANSI I 7.1, ANSI 24.2, ADAAG, BOCA, NAHBUPC, Southern Building Code

#### CROSS SECTION OF THRESHOLD



**cd**  
comfortdesigns

comfortdesignsbathware.com | 800.443.7269