

CD Product Sheet

ACCESSIBLE

XST5430BF 4P

MILLENNIA
Enhancing Livable Design

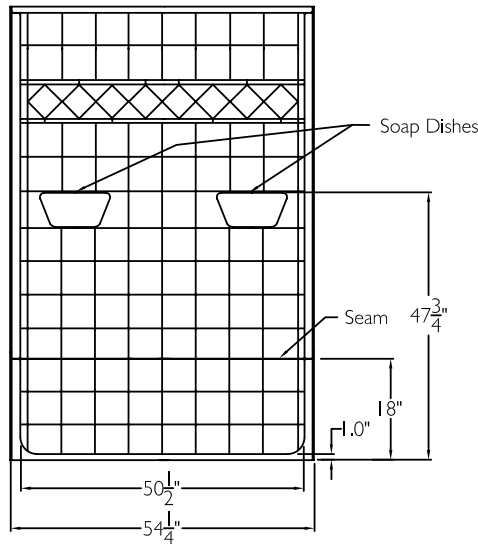
TECHNICAL INFORMATION

OD 54.5" x 31" x 81"

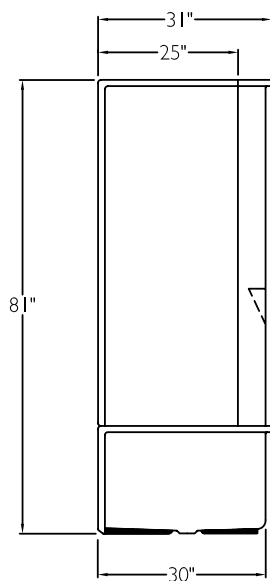
LOAD FACTOR I

HANDED BY Drain

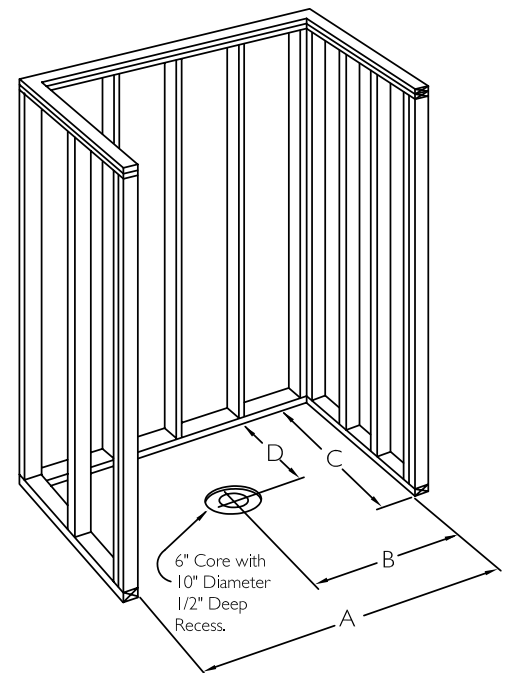
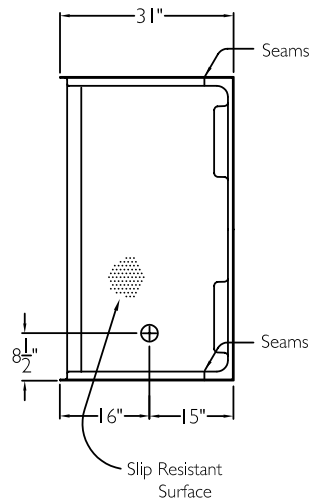
FRONT VIEW



SIDE VIEW



TOP VIEW



FRAMING DIMENSIONS

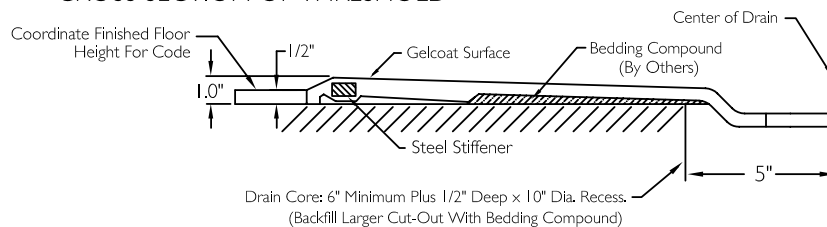
A 54.75" B 8.375"

C 31" D 15"

ADDITIONAL CODES

ICC/ANSI 17.1, ANSI 24.2, ADAAG, BOCA, NAHBUPC, Southern Building Code

CROSS SECTION OF THRESHOLD



cd
comfortdesigns