

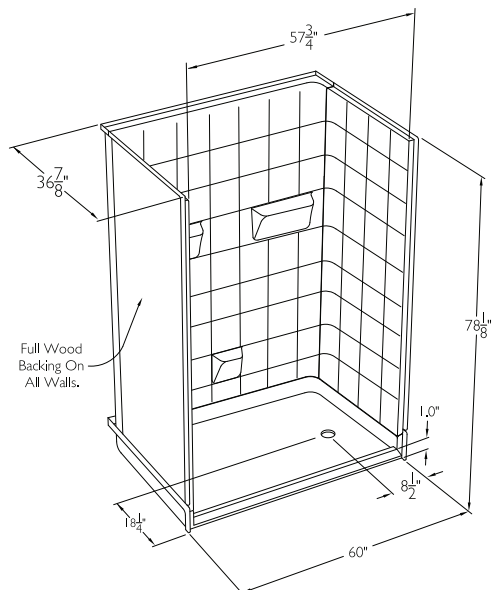
CD Product Sheet

MULTI-PIECE RESIDENTIAL

6036BF 5P L/R

OD 60" x 37" x 78"

MULTI-PIECE PACKAGE 6036BF 5P LIR-1 shown in drawing



STANDARD FEATURES

6 Inch Desinger Tile pattern
Barrier-Free Threshold
Multi-Piece Design
AcrylX™ finish- 30 year limited warranty
GripSure textured floor
EasyBase™

NOTICE OF LIMITATION

Recess as needed to meet code
Adhere to floor as required

MULTI-PIECE LINE
Enhancing Livable Design

FINISH COLOR SELECTION (Check One)



ACRYLX™: WT-white, BN-bone, BS-biscuit

MULTI-PIECE PACKAGES (Check One)

Includes standard features plus Tri-Cell honeycomb wall construction and accessories detailed below.

*NOTE: Plumbing is not included in comfort package. To add plumbing use modify package options below and select valve and shower assembly.

- ACRYLX™ MULTI-PIECE PACKAGE**
XST6036BF 5P LIR-1
stainless steel curtain rod

BUILD TO ORDER BASE MODELS (Check One)

Standard features only. All additional options must be selected from modify package options list.

- ACRYLX™ BASE MODEL**
XST6036BF 5P LIR

MODIFY PACKAGE OPTIONS

After selecting base model or prepackaged model, select modify package options to add or change options. Add nomenclature in bold to prepackaged model number. Example: MODEL#-I-PB for pressure balancing mixing valve option.

- | | | |
|------------------------------------|---|---|
| WALL REINFORCEMENT | <input type="checkbox"/> TC Tri-Cell honeycomb | <input type="checkbox"/> FWB Full wood backing |
| | <input type="checkbox"/> FBP Future placement for bars/seats | |
| L-BAR CONFIGURATION | <input type="checkbox"/> LW ComfortCare™ 1.25 white | <input type="checkbox"/> CLS ComfortCare™ 1.25 stainless |
| VERTICAL GRAB BAR | <input type="checkbox"/> VW ComfortCare™ 24" white | <input type="checkbox"/> LS Stainless 1.50 |
| L SHAPED FOLD-UP SEAT | <input type="checkbox"/> PD Padded white | <input type="checkbox"/> CVS ComfortCare™ 24" steel |
| CURTAIN ROD | <input type="checkbox"/> CRW Curtain rod/cups white | <input type="checkbox"/> HD HDPE white |
| CURTAIN | <input type="checkbox"/> CPW Polyester weighted white | <input type="checkbox"/> CRS Curtain rod/cups stainless steel |
| VALVE & SHOWER ASSEMBLY | <input type="checkbox"/> PB Pressure balancing mixing valve (ADA/ANSI) | <input type="checkbox"/> CVW Vinyl weighted white |
| WATER DAM | <input type="checkbox"/> CD Collapsible dam w/white | <input type="checkbox"/> HH Hand held shower assembly with slide bar, vacuum breaker and 60" hose (ADA/ANSI) |
| DRAIN | <input type="checkbox"/> DR Drain no caulk brass | <input type="checkbox"/> SEMI Semi-permanent dam |
| P3 | <input type="checkbox"/> P3 P3 Armorshield | |
| ANTIMICROBIAL | <input type="checkbox"/> SS SmartSilver | |
| TRIM | <input type="checkbox"/> TK Trim Kit | |

*not available on solid surface models

cd
comfortdesigns

comfortdesignsbathware.com | 800.443.7269