

# CD Product Sheet

## COMMERCIAL MULTI-PIECE

### **XST6036BF 5P L/R**

**MULTI-PIECE**  
Enhancing Livable Design

#### TECHNICAL INFORMATION

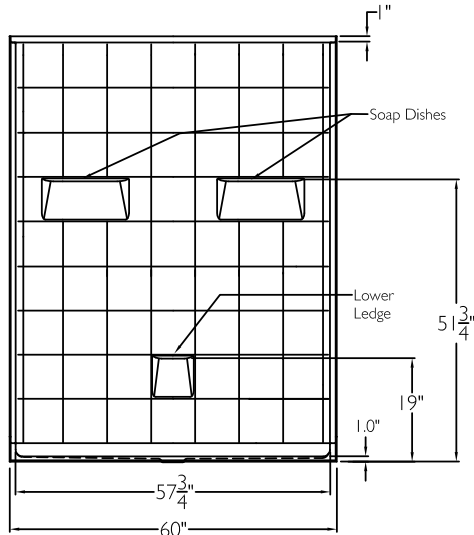
OD 60" x 36.875" x 78.125"

THRESHHOLD 1"

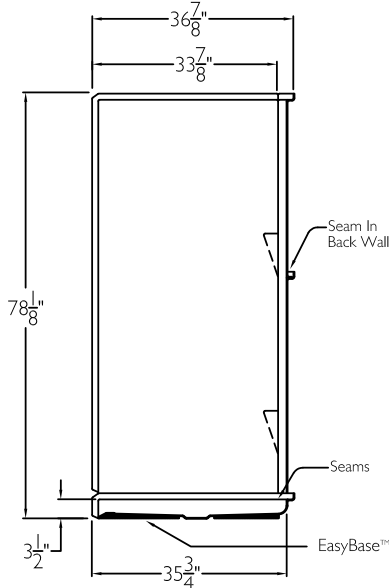
LOAD FACTOR .80

HANDED BY Drain

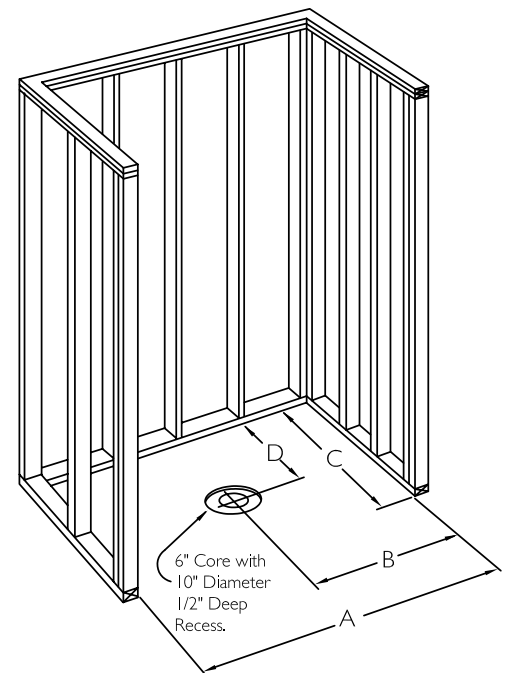
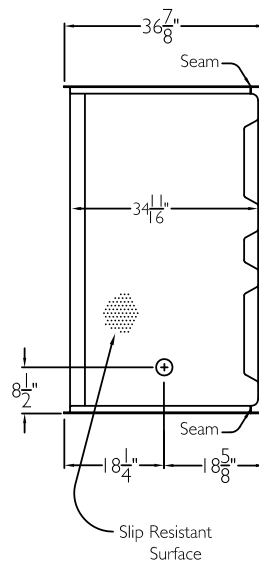
FRONT VIEW



SIDE VIEW



TOP VIEW



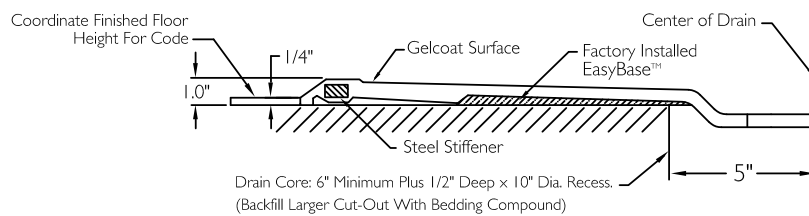
#### FRAMING DIMENSIONS

A 60.25" B 8.625"  
C 36.875" D 18.625"

#### ADDITIONAL CODES

ICC/ANSI I 7.1, ANSI I 24.2, BOCA,  
NAHBUPC, Southern Building Code

#### CROSS SECTION OF THRESHOLD



**cd**  
comfortdesigns

comfortdesignsbathware.com | 800.443.7269