

CD Technical Data Sheet
BASES COLLECTION
XSB6030BF COL L/R

BASES COLLECTION
 Enhancing Livable Design

TECHNICAL INFORMATION

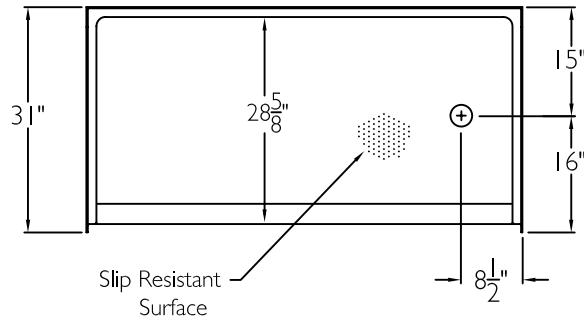
OD 60" x 31" x 4.5"

THRESHOLD 1"

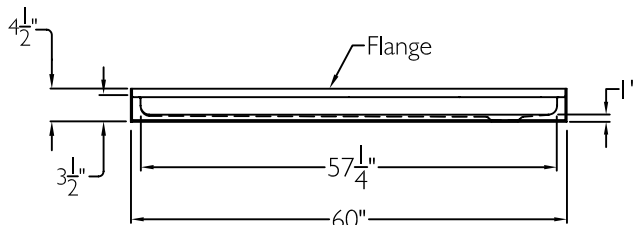
LOAD FACTOR 0.22

HANDED BY Drain

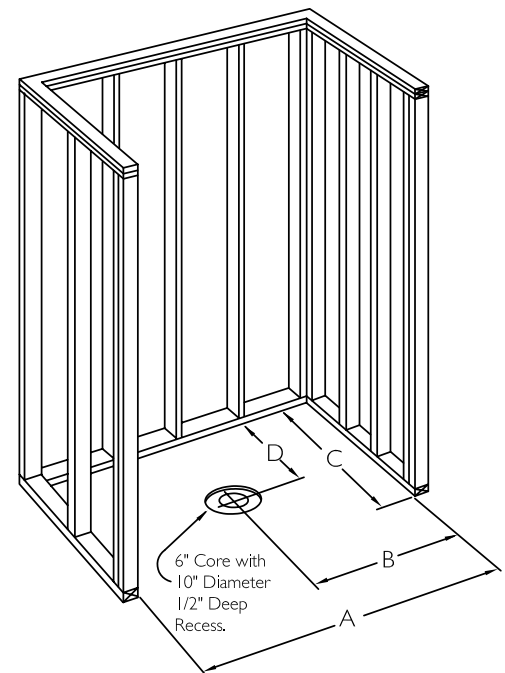
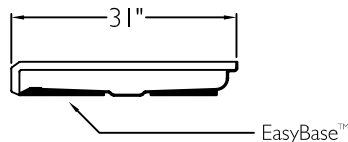
TOP VIEW



FRONT VIEW



SIDE VIEW



FRAMING DIMENSIONS

A 60.25" B 8.625"
 C 31" D 15"

ADDITIONAL CODES

ICC/ANSI I 7.1, BOCA, NAHBUPC,
 Southern Building Code

