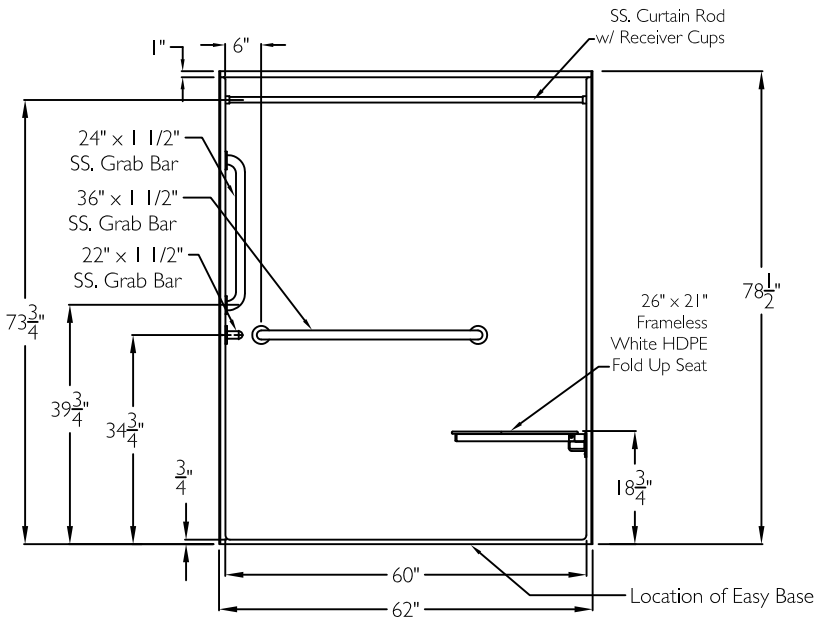
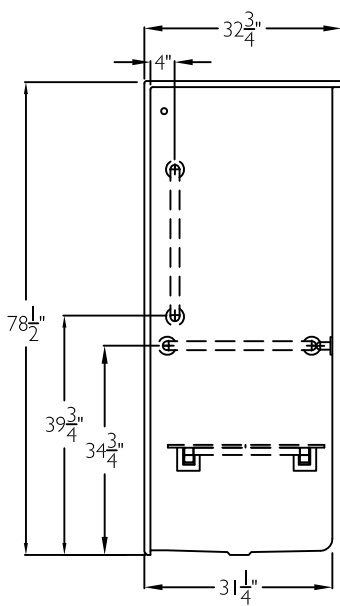


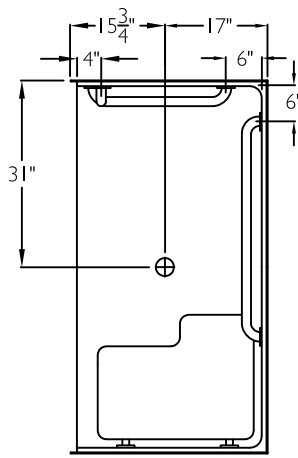
FRONT VIEW



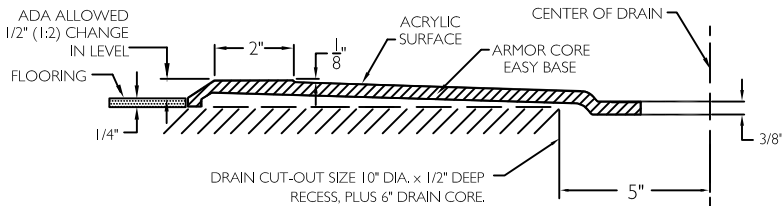
SIDE VIEW



TOP VIEW



CROSS SECTION OF THRESHOLD



XSS6233 BF-F COL RH

SUBMITTAL

This shower enclosure shall be model XSS 6233 BF-F .75, right. Finished surface shall be of a sanitary grade AcrylX™ applied acrylic. The base shall be attached to the sump in such a manner to form an integral part with an inner and outer coating of polyester resin. Unit construction shall be of a molded reinforced fiberglass with a 15% minimum fiberglass content.

The unit shall have outside dimensions of 62" x 32 3/4" x 78 1/2". The unit shall meet IAPMOZ124, CSA B45.5-11, HUD-UM73, ADA, ICC/ ANSI A117.1, TAS, and Home Innovation Research Lab.

NOTE: This model shall be an ABGshipnow.com program unit.

HANDED BY THE SEAT

The enclosure shall be equipped with the following accessories: 1) One 36" x 1 1/2" diameter stainless steel horizontal grab bar on the back wall, 2) One 22" x 1 1/2" diameter stainless steel horizontal grab bar opposite the seat, 3) One 24" x 1 1/2" diameter stainless steel vertical grab bar opposite the seat, all with 1 1/2" statute clearance, mounted with stainless steel bolts, and secured from the rear with 3" x 3" x 11 gauge metal mounting plates, 4) 26" x 21" white frameless HDPE fold up seat, 5) One inch diameter, 18 gauge stainless steel curtain rod with receiver cups, 6) Armor Core Easy Base, 7) 3/4" change of level threshold.

THIS UNIT FEATURES THE OUTSIDE DIMENSION OF 62" OF OVERALL WIDTH. THIS DOES NOT ALLOW FOR FULL ENCLOSURE OF THE BOLTS AND NUTS USED TO SECURE THE BARS AND SEAT IN PLACE. THE BOLT AND NUT COMBINATION SHOULD NOT PROTRUDE MORE THAN 3/4" ON EITHER SIDE OF THE SHOWER WALLS, THIS MAY REQUIRE THE NEED TO NOTCH STUDS TO ALLOW BOLT CLEARANCE FOR A DRYWALL ENCLOSED FIRE WALL INSTALLATION. ADJUSTMENT OF THE WALL BOARD MAY BE NECESSARY TO PROVIDE CLEARANCE OF THE BOLT(S) WHILE MAINTAINING THE INTEGRITY OF THE DRYWALL ENCLOSED FIRE WALL ENCLOSURE.

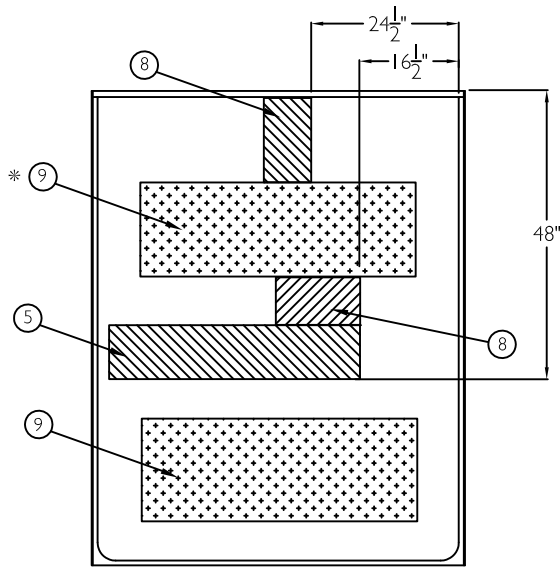
NOTE: THIS UNIT WILL NOT ACCEPT A DOOR.

Job Name	Approved By Print Name	Date	XSS6233 BF-F COL RH	
Project No	Approved By Signature		Model No. XSS 6233 BF-F COL .75 RH	
	Architect		Drawing No. XSS 6233 BF-F COL .75 HBW HSW VSW FHDP CR Easy Base RH	
	Engineer		Date Issued. 4-3-12	Drawing Rev. 2-4-19
	Rep		Material. AcrylX™ applied acrylic	
	Wholesaler		Color.	
	Comments		Dimensions are in inches. Due to the nature of the materials dimensions may vary ± 1/2"	

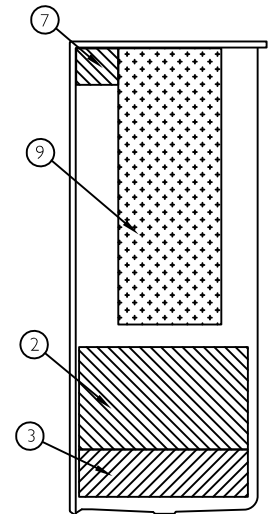
XSS6233 BF-F COL RH BACKING PLACEMENT

This shower enclosure shall be model XSS 6233 BF-F .75

FRONT VIEW

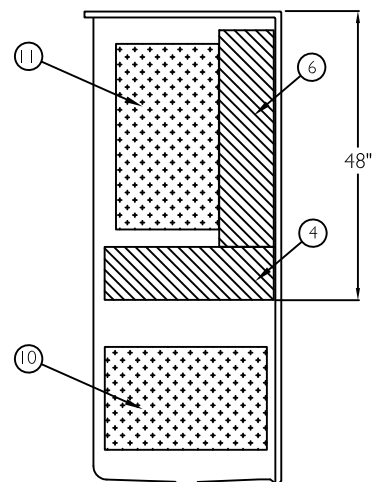


SEAT SIDE VIEW



* MODIFY AS REQUIRED FOR FIT

SIDE VIEW



ITEM NO.	PART NUMBER	QTY.
1	6233 BF-F	1
2	28" x 17" x .125 (4848CORE-125)	1
3	28" x 25" x .250 (4848CORE-25)	1
4	28" x 9" x .250 (4848CORE-25)	1
5	42" x 9" x .250 (4848CORE-25)	1
6	7" x 36" x .250 (4848CORE-25)	1
7	6" x 7" x .250 (4848CORE-25)	1
8	8" x 14" x .250 (4848CORE-25)	2
9	17" x 46" (5174DCORR)	3
10	17" x 27" (Cut From 5174DCORR)	1
11	17" x 31" (Cut From 51746DCORR)	1

APPLICATION:	THICKNESS:
APPLIED ACRYLIC	18.5 MIL
1ST LAMINATION	60 MIL
CORRUGATED	25 MIL
ARMORCORE	75 MIL
2ND LAMINATION	50 MIL

ALL REINFORCED AREAS TO BE ENCAPSULATED BY SECOND LAMINATION.
OVERALL LAMINATION THICKNESS TOLERANCE: -0/+80 MILS.

Job Name	Approved By	Name	Date	XSS6233 BF-F COL RH	
Project No	Architect			Model No. XSS 6233 BF-F COL .75	
	Engineer			Drawing No. XSS 6233 BF-F COL .75 HBW HSW VSW FHDP CR Easy Base RH-BP	
	Rep			Date Issued.	Drawing Rev. 2-4-19
	Wholesaler			Material. AcrylX™ applied acrylic	
	Comments			Color.	
				Dimensions are in inches. Due to the nature of the materials dimensions may vary ± 1/2"	