

Commercial Bath Accessories Technical Specification

Premier Paper Holder

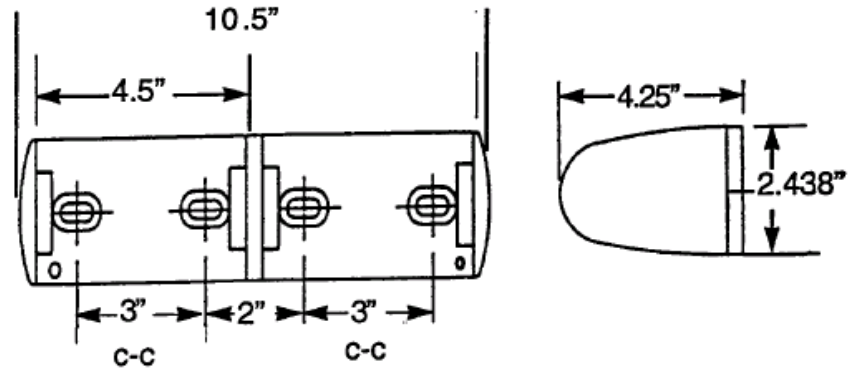
R112, RR113

Stock Numbers:

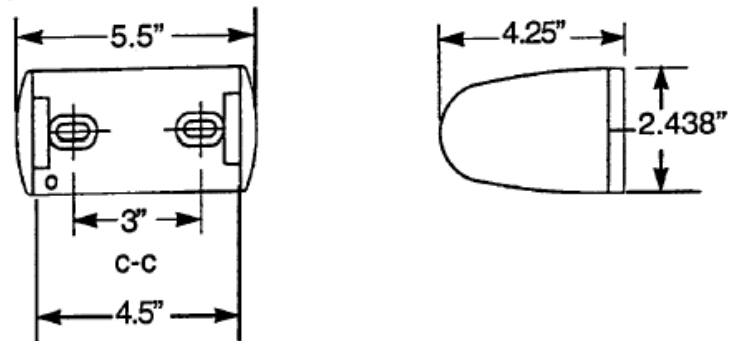
- **R112CH – Premier Paper Holder**
Single Roll
Polished Chrome Finish
Holds 5" Diameter Standard Roll
Concealed Push Button Release
- **RR113CH – Premier Paper Holder**
Double Roll
Polished Chrome Finish
Holds 5" Diameter Standard Roll
Concealed Push Button Release

Dimensions:

Double Roll



Single Roll



Materials:

Premier Paper Holder back plate and projecting arms are die cast from highest quality zinc alloy (zamac), with a triple plated polished chrome finish. Push button is plastic. Spring catch is galvanized steel.

Installation Instructions:

Position product and secure to wall surface using 1" screws (provided).

Note: Wood blocking is preferable behind all wall surfaces. If wood blocking is not available, the following optional fasteners may be used: Tile / Masonry – Plastic or Lead Anchors; Plaster / Drywall – Toggle Bolts.

Stock Number: _____ Premier Paper Holder
By Creative Specialties



25300 AL MOEN DRIVE • NORTH OLMSTED, OH 44070
CORPORATE HEADQUARTERS: (800) 321-8809 • FAX: (800) 848-6636
INTERNATIONAL: (440) 962-2000 • FAX: (440) 962-2726
CUSTOMER SERVICE (USA): 800-882-0116 • FAX: (888) 379-2720
WWW.MOEN.COM

©Copyright Creative Specialties International

Literature #BA1642