

1. Vanity Top Surface & Color

Choose from one of our five surface choices below and then pick a color.

- Solid Surface Classic
 Solid Surface Natural Selections
 Natural Granite
 Eng. Quartz
 Natural Marble

COLOR NAME _____ # _____

2. Dimensions

Select desired standard depth and length. Tops can be sized to 1/8" of inch.

DEPTH 22 1/4" (standard)
 19 1/4"
 Other _____
 LENGTH _____

Non-standard Depth Upcharge: _____

• Up to 37" length add \$82, above 37" length add \$132 • Min. of 18 3/4" depth for bowl placements. Max. depth is 25 1/4"

3. Vanity Bowl

Based on vanity top size and material, choose a bowl and a bowl color.

- No Cutout
 Vessel Bowl \$167 (4b. below)
 Undermount Bowl (see below)

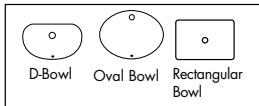
Solid Surface, Granite, Marble, Quartz and Nano Vanity Tops

19 1/2" TOPS

Vitreous China Bowl		
<input type="checkbox"/> 13"x10" Oval	included	
Solid Surface Bowl	A Colors	B,C Colors
<input type="checkbox"/> 16"x10" D-Bowl	\$83	\$117

COLOR NAME _____ # _____

NOTE: All china bowls and Solid Surface rectangular bowls available in white or biscuit only.



22 1/4" TOPS

Vitreous China Bowls		
<input type="checkbox"/> 17"x14" Oval	included	
<input type="checkbox"/> 18"x13" Rectangle	\$167	
<input type="checkbox"/> Customer Supplied (specify model# below)	\$215	

Solid Surface Bowls	A Colors	B,C Colors
<input type="checkbox"/> 16"x12" Oval (Std.)	\$83	\$117
<input type="checkbox"/> 19"x14" Oval	\$167	\$200
<input type="checkbox"/> 18"x14" Rectangle	\$200	
<input type="checkbox"/> Customer Supplied (specify model# below)	\$215	

Customer Supplied*: _____ Mfg. _____ Model # _____

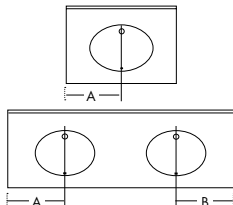
*Actual bowl or template may be required.

4a. Bowl Placement

Single Bowl

- Centered or _____ inches (A) from left edge to bowl center

- OR
 Double Bowl \$333 Available on vanity tops of 49" or greater



Bowl A is _____ inches from left edge to bowl center. Minimum of 12"

Bowl B is _____ inches from right edge to bowl center. Minimum of 12"

4b. Vessel Bowl only

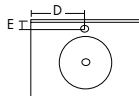
Vessel Bowl
In addition to bowl placement dimensions at left also indicate bowl depth from back of top to center of drain.

_____ inches (C) Depth to center of drain. Bowl drain drilling is 1-3/4" dia.

4c. Vessel faucet hole

Indicate faucet hole placement:

- _____ Inches (D) length from left
 _____ If double bowl, indicate inches from right
 _____ Inches (E) depth from back



5. Faucet Hole Configuration

Standard set back for holes is approximately 2 1/2" from back of bowl to center of hole. All faucet holes will be approximately 1 3/8" in diameter.

- None
 4" Spread
 8" Spread
 8" Contour*

- Single hole

*8" contour is not available on 1610 bowls or rectangular bowls.

6. Vanity Top Waterfall Leg

Waterfall Leg available in Solid Surface Classic and Natural Selections colors only. Please specify Vanity Height _____ Waterfall Leg on Left _____ Right _____

Group A Colors	Group B Colors	Group C Colors	Group D Colors
\$848	\$892	\$988	\$1,032

7. Front Edge Profiles

Solid Surface/Natural Selections

Standard Edge (included)

- Eased
 Optional Edges (additional charge - \$108)
 Beveled Ogee
 Roundover Bullnose
 Modified Ogee

Premium Plus (additional charge - \$360)

- Bold

Granite/Marble/Quartz/Nano

Standard Edge (included)

- Eased
 Optional Edges (additional charge - \$108)
 Beveled Ogee
 Roundover Bullnose

Premium Edges (additional charge - \$165)

- Ogee
 Bold (additional \$360)

Additional Edge Profile location

- Right Left (Mark each edge that is to receive an edge profile)

8. Side splash with eased edge profile

- None
 Left \$58
 Right \$58
 Both \$116

9. Finished Ends

Please select which side(s) of the vanity top requires a polished finished end. Specify finished end(s) for open sides or when against a linen cabinet. Sides flush against a wall should receive an unfinished end.

- Linen Cab. Left Linen Cab. Right
 Both sides finished
 Left side finished
 Right side finished
 Neither side finished

A finished end includes standard edge buildup and polishing. An edge profile will be added only if selected in Step 7.

10. Back splash with eased edge profile

Select One: None Integral (coved) 4" Loose (set-on)

Solid Surface	included	included - 1/2" thick
Natural Selections	\$213	included - 5/8" thick
Granite/Marble/Quartz	not available	included - 3/4" thick

11. Vanity Top Prices

Top Length	Group A	Group B	Group C	Group D
Single Bowl	Std. Edge	Std. Edge	Std. Edge	Std. Edge
25"	\$848	\$892	\$988	\$1,032
Up to 31"	\$932	\$982	\$1,102	\$1,180
Up to 37"	\$983	\$1,033	\$1,205	\$1,291
Up to 43"	\$1,087	\$1,137	\$1,327	\$1,413
Up to 49"	\$1,180	\$1,240	\$1,430	\$1,513
Up to 61"	\$1,448	\$1,517	\$1,688	\$1,810
Up to 73"	\$1,733	\$1,827	\$1,982	\$2,121
Up to 85"	\$1,967	\$2,068	\$2,240	\$2,414
Up to 97"	\$2,293	\$2,413	\$2,585	\$2,759

Custom configurations are available i.e. Angled Front, Banjo, Breakfront or Curved Tops. Please use supplemental Specialty Shape vanity top form.

12. Calculate Order

Vanity Top Price (see #11) _____ Edge Profile Price (see #7) _____
 Depth Upcharge (see #2) _____ Side Splash Price (see #8) _____
 Bowl Price (see #3) _____ Back Splash Price (see #10) _____
 Double Bowl Price (see #4a) _____ **Total Vanity Top Price:** _____
 Waterfall Leg Price (see #6) _____ Discount: _____
DEALER NET PRICE: _____

13. Complete Your Order

For assistance completing this form, see sales associate. All of our vanity tops are non-cancelable and non-returnable.

Name (please print) _____
 Address _____
 City _____ State _____ Zip _____
 Phone _____
 Signature X

DEALER USE ONLY Fax this form with a purchase order to (330) 399-4426

Company _____ Date _____
 Sales Associate _____ P.O.# _____
 City _____ ST _____ ZIP _____



1. Vanity Top Surface & Color

Choose from one of our five surface choices below and then pick a color.

- Solid Surface Classic Solid Surface Natural Selections Natural Granite Eng. Quartz Natural Marble

COLOR NAME _____ # _____

2a-d. Specialty Vanity Top Shape Charges

Add the additional charges to the standard custom prices for the added cost of a specialty vanity top shape.

Additional charge	Solid Surface Classic Colors	Natural Selections	Natural Granite/Marble	Eng. Quartz
Up to 49" w	\$265	\$265	\$365	\$365
49" w up to 97" w	\$415	\$415	\$498	\$498

For each specialty shape below, insert CABINET dimensions rather than vanity TOP dimensions. We will then add the overhangs required for the finished top. Also mark finished ends in section 9.

2a. Angled Front Vanity Top

- Single Bowl Top Double Bowl Top

Total length of CABINET _____

(A) Distance from LH edge to center of bowl _____

(B) Depth 22 1/4" 19 1/4" Other _____

(C) Offset (std.: 3") _____ Specify _____

(D) Distance from LH edge to offset _____

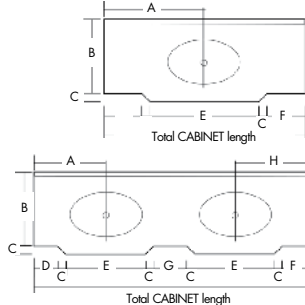
(E) Distance from offset to offset _____

(F) Distance from RH offset to RH edge _____

If a Double Bowl Top, complete info below

(G) Distance between center of offsets _____

(H) Distance from RH edge to center of bowl _____



2b. Breakfront Vanity Top

- Single Bowl Top Double Bowl Top

Total length of CABINET _____

(A) Distance from LH edge to center of bowl _____

(B) Depth 22 1/4" 19 1/4" Other _____

(C) Offset (std.: 3") _____ Specify _____

(D) Distance from LH edge to offset _____

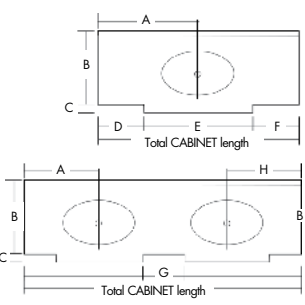
(E) Distance from offset to offset _____

(F) Distance from RH offset to RH edge _____

If a Double Bowl Top, complete info below

(G) Distance between center of offsets _____

(H) Distance from RH edge to center of bowl _____



2c. Banjo Vanity Top

- Single Bowl Top Double Bowl Top

- RH Banjo Top LH Banjo Top

Total length of CABINET _____

(A) Distance from left edge to center of bowl _____

(B) Depth 22 1/4" 19 1/4" Other _____

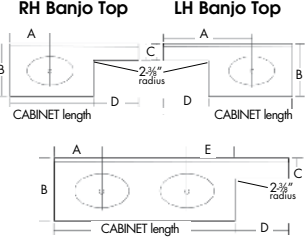
(C) Banjo Depth 10" (std.)* Other _____

*7-1/2" minimum Specify _____

(D) Banjo Length _____ (from Cabinet to end of wall)

If a Double Bowl Top, complete info below

(E) Distance from RH edge to center of bowl _____



2d. Curved Vanity Top

- Single Bowl Top Double Bowl Top

Total length of CABINET _____

(A) Distance from LH edge to center of bowl _____

(B) Depth 22 1/4" 19 1/4" Other _____

(C) Offset (std.: 3") _____ Specify _____

(D) Distance from LH edge to offset _____

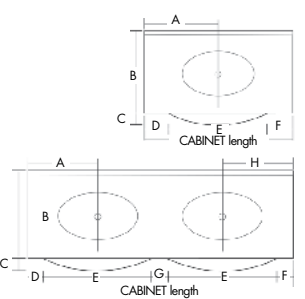
(E) Distance from offset to offset _____

(F) Distance from RH offset to RH edge _____

Double Bowl Curved Top

(G) Distance between center of offsets _____

(H) Distance from RH edge to center of bowl _____



5. Faucet Hole Configuration

Standard set back for holes is approximately 2 1/2" from back of bowl to center of hole. All faucet holes will be approximately 1 3/8" in diameter.

- None Single hole 4" Spread 8" Spread 8" Contour*
*8" contour is not available on 1610 bowls or rectangular bowls.

6. Vanity Top Waterfall Leg

Waterfall Leg available in Solid Surface Classic and Natural Selections colors only. Please use vanity top Waterfall Leg prices on Custom Vanity Top Order Form.

Please specify Vanity Height _____ Waterfall Leg on Left _____ Right _____

7. Front Edge Profiles

Solid Surface/Natural Selections

Standard Edge (included) _____

Eased

Optional Edges (additional charge - \$108)

Beveled Ogee

Roundover Bullnose

Modified Ogee

Premium Plus (additional charge - \$360)

Bold

Granite/Marble/Quartz/Nano

Standard Edge (included) _____

Eased

Optional Edges (additional charge - \$108)

Beveled

Roundover Bullnose

Premium Edges (additional charge - \$165)

Ogee

Bold (additional \$360)

Additional Edge Profile location

Right Left (Mark each edge that is to receive an edge profile)

8. Side splash with eased edge profile

None Left \$58 Right \$58 Both \$116

9. Finished Ends

Please select which side(s) of the vanity top requires a polished finished end. Specify finished end(s) for open sides or when against a linen cabinet. Sides flush against a wall should receive an unfinished end. Linen Cab. Left Linen Cab. Right

Both sides finished Left side finished Right side finished Neither side finished

A finished end includes standard edge buildup and polishing. An edge profile will be added only if selected in Step 7.

10. Back splash with eased edge profile

Select One: None Integral (coved)* 4" Loose (set-on)

* Included for Classic Solid Surface tops only. Additional \$213 for Natural Selections.

11. Vanity Top Prices

Please use base vanity top prices on Custom Vanity Top Order Form. Specialty vanity top shape charges as well as additional charges for edge profiles, back splash/side splash and bowls complete the vanity top price.

12. Calculate Order

Vanity Top Price (see #11) _____ Edge Profile Price (see #7) _____

Depth Upcharge (see #2) _____ Side Splash Price (see #8) _____

Bowl Price (see #3) _____ Back Splash Price (see #10) _____

Double Bowl Price (see #4a) _____ **Total Vanity Top Price:** _____

Waterfall Leg Price (see #6) _____ Discount: - _____

DEALER NET PRICE: _____

13. Complete Your Order

For assistance completing this form, see sales associate. All of our vanity tops are non-cancelable and non-returnable.

Name (please print) _____

Address _____

City _____ State _____ Zip _____

Phone _____

Signature X

DEALER USE ONLY Fax this form with a purchase order to (330) 399-4426

Company _____ Date _____

Sales Associate _____ P.O.# _____

City _____ ST _____ ZIP _____