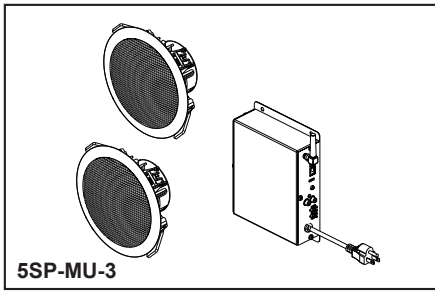




see what Delta can do<sup>SM</sup>

## AUDIO MODULE AND CLASSIC SPEAKERS



### STANDARD SPECIFICATIONS:

#### Speakers:

- Max Power: 100W each (x2)
- Impedence: 8 ohm each (x2)

#### Module:

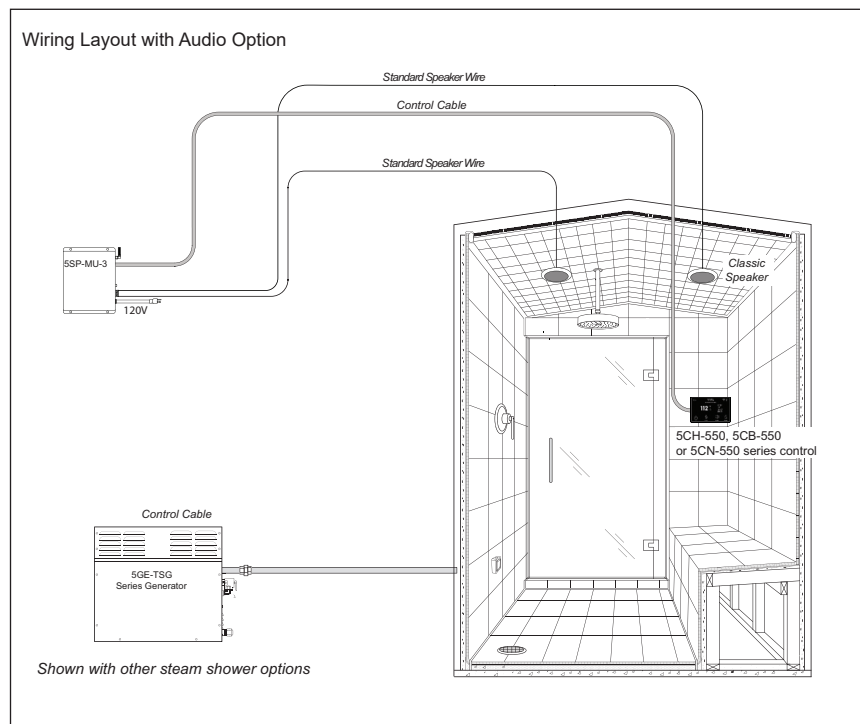
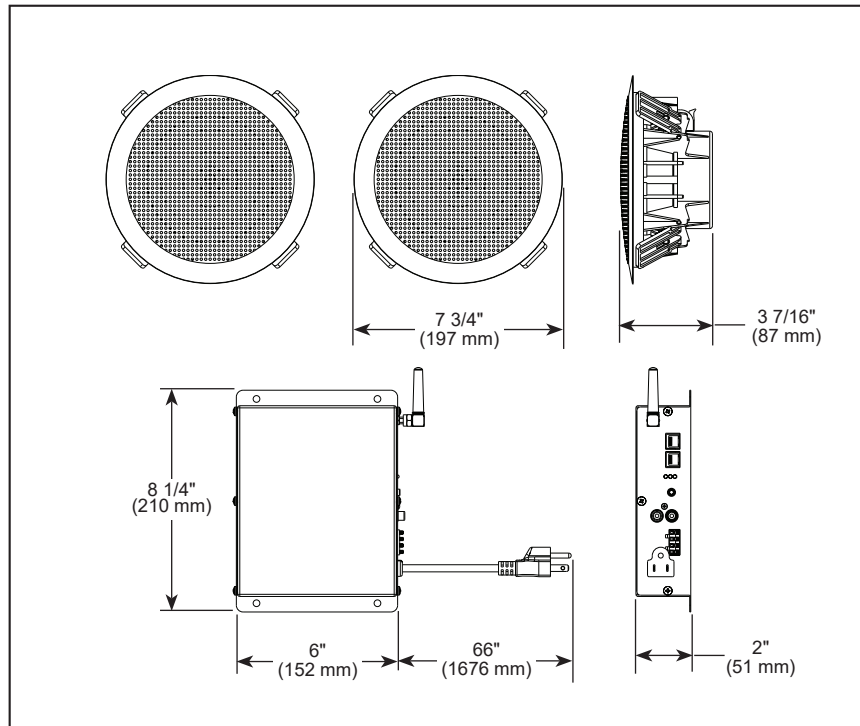
- Wattage: 70 Watts Max
- Speaker Output: 4-8 ohms
- Audio Inputs: Bluetooth, Music A (3.5mm Jack), Music B (RCA Jacks)
- Voltage: 120V 50/60 Hz
- Package includes: (1) Audio module with a power supply, (1) 35' control cable, (2) Speakers, and (2) 25' lengths of a 2 pair speaker wire - 18 AWG
- Speakers comprised of marine grade, waterproof material
- Adjust volume, balance, bass and treble for sound clarity, and pause, play or skip songs via the interface
- Compact design with high-powered amplifier and wireless receiver
- Mounting hole 6 3/4"

### WARRANTY

- Steam Generators – Lifetime limited warranty; or for commercial purchasers (including for steam bath generators with model numbers beginning with 5COM, which are intended solely for heavy commercial use), one (1) year from the date the product is received by the original purchaser or their authorized representative (installation contractor, etc.).
- Electronic Parts for Steam Bath Generators, Controls, Spa Options and Accessories – two (2) years from the date the product is received by the original consumer purchaser or their authorized representative (installation contractor, etc.); or for commercial purchasers, one (1) year from the date the product is received by the original purchaser or their authorized representative (installation contractor, etc.).
- Please go to [www.deltafaucet.com](http://www.deltafaucet.com) for the complete details of our limited warranty.

### COMPLIES WITH:

- cULus - E492094 - applies to module only



Delta reserves the right (1) to make changes in specifications and materials, and (2) to change or discontinue models, both without notice or obligation. Dimensions are for reference only. See current full-line price book or [www.deltafaucet.com](http://www.deltafaucet.com) for finish options and product availability.

DSP-S-5SP-MU-3 Rev. D

### Delta Faucet Company

55 E. 111th Street, Carmel, IN 46280  
 350 South Edgeware Road, St. Thomas, ON N5P 4L1  
 © 2024 Delta Faucet Company