


Submitted Model No.: _____

Specific Features: _____

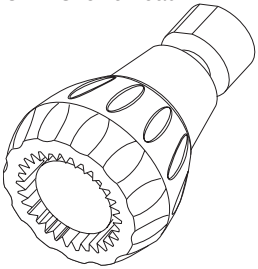
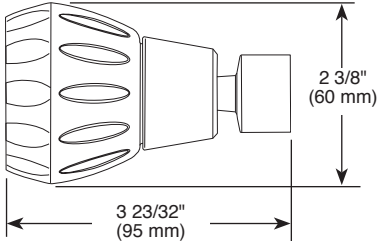


CLASSIC BASIC SHOWERHEAD

52400-WH 2.5 GPM Showerhead


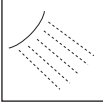




Full Body Spray

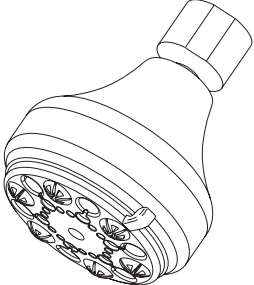
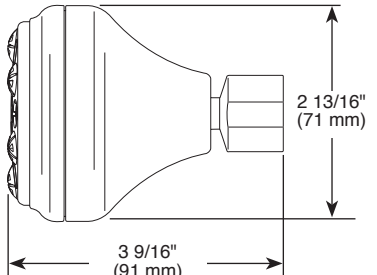



2 3/8" (60 mm)
3 23/32" (95 mm)

52665-▲PK 2.0 GPM Showerhead
52665-▲20-PK 2.5 GPM Showerhead


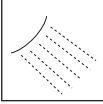

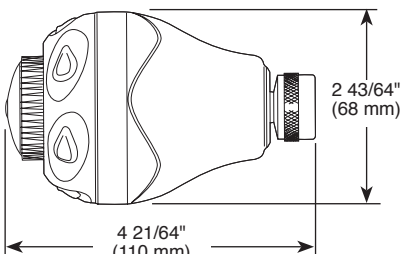





Full Body Spray Massaging Spray Crossing Full Spray Crossing Full Spray w/Massage

2 13/16" (71 mm)
3 9/16" (91 mm)

52671-WC20-BG 2.0 GPM Showerhead

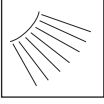
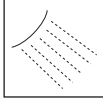

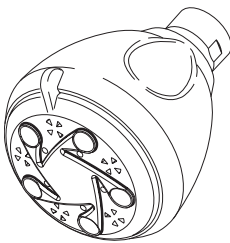
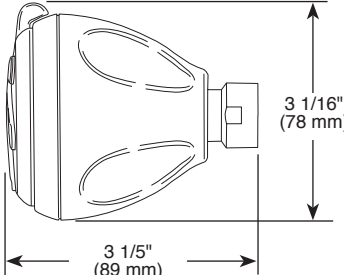





2 43/64" (68 mm)
4 21/64" (110 mm)

Full Body Spray Massaging Spray

Full Spray w/Massage

52675-PK 2.5 GPM Showerhead

3 1/16" (78 mm)
3 1/5" (89 mm)

Full Body Spray Massaging Spray

Crossing Full Spray

STANDARD SPECIFICATIONS

- One to four spray settings
- 3" spray face diameter: 52675, 52665.
- 2 5/8" spray face diameter: 52671.
- 2 1/2" spray face diameter: 52400.
- Maximum 2.50 gpm at 80 psi, 9.5 L/min @ 550 kPa
- Maximum 2.00 gpm at 80 psi, 7.6 L/min @ 550 kPa

WARRANTY

- Lifetime limited warranty on parts (other than electronic parts and batteries) and finishes; or, for commercial users, for 5 years from date of purchase.
- 5 year limited warranty on electronic parts (other than batteries); or, for commercial users, for 1 year from the date of purchase. No warranty is provided on batteries.

COMPLIES WITH:

- ASME A112.18.1 / CSA B125.1
- EPA WaterSense®



▲ Designate proper finish suffix

Delta reserves the right (1) to make changes in specifications and materials, and (2) to change or discontinue models, both without notice or obligation. Dimensions are for reference only. See current full-line price book or www.deltafaucet.com for finish options and product availability.

DSP-B-52400-WH Rev. B

55 E. 111th Street, Indianapolis, Indiana 46280
350 South Edgeware Road, St. Thomas, ON N5P 4L1
© 2015 Masco Corporation of Indiana