

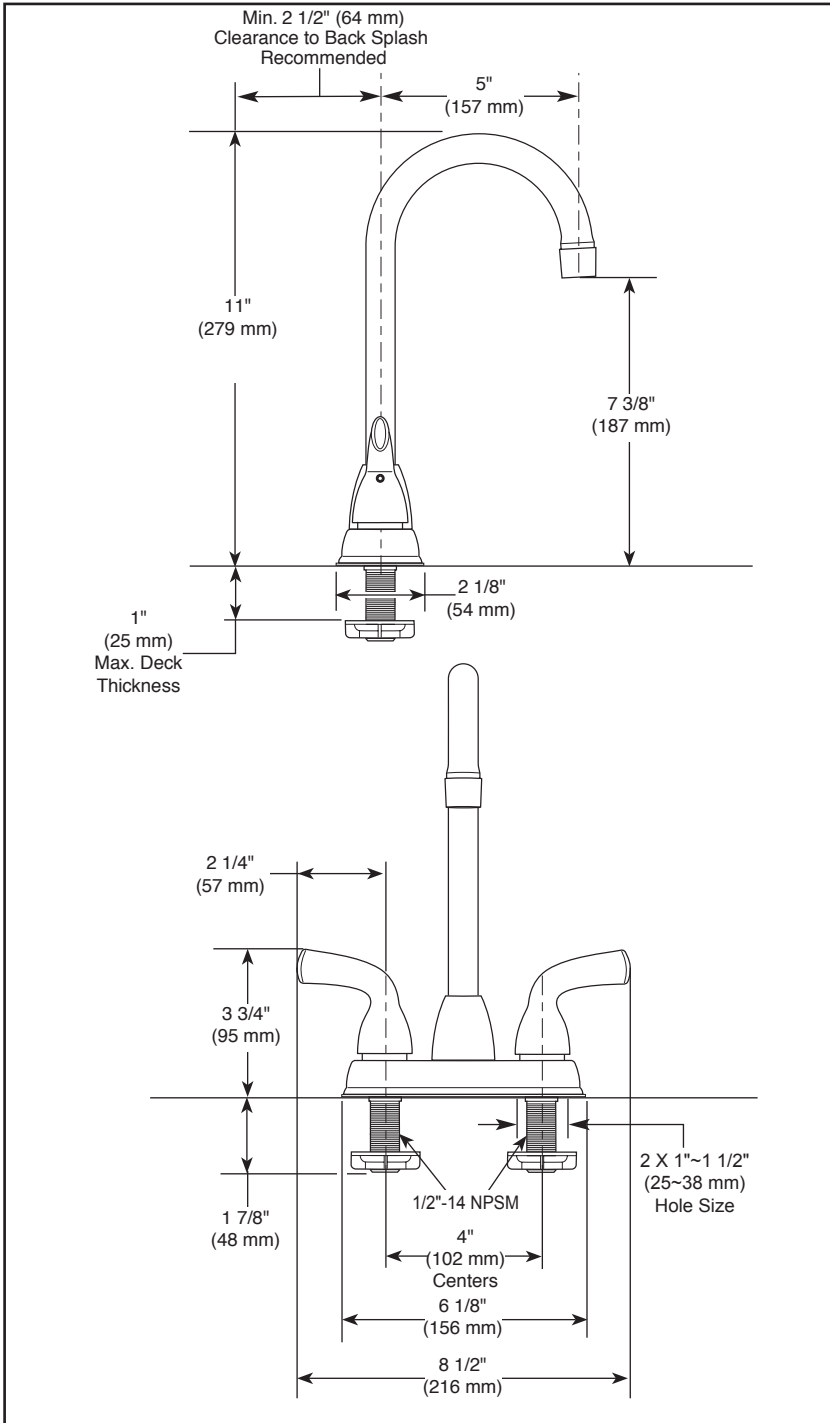
## BAR SINK FAUCET

- Two Handle, Deck Mount
- 2 and 3 Hole Sink Applications
- 4" Centerset

Submitted Model No.: \_\_\_\_\_  
 Specific Features: \_\_\_\_\_

### STANDARD SPECIFICATIONS:

- Maximum flow rate 1.5 gpm @ 60 PSI, 5.7 L/min @ 414 kPa.
- Solid brass fabricated body.
- Two handle bar sink faucets for exposed mounting on 2 and 3 hole sinks with 4" centers.
- 4" (102 mm) centerset.
- 5" (157 mm) long, 11" (279 mm) high spout, swings 360°.
- 1/4 turn handle stops.
- All operating parts shall be replaceable from the top.
- Hot and cold stems are interchangeable.
- 1/2" -14 NPSM threaded male inlet shanks.
- Control mechanism is a rotating cylinder type with stainless steel plate and 90°rotating, with replaceable non-metallic seats.



### WARRANTY

- Lifetime limited warranty on parts (other than electronic parts and batteries) and finishes; or for commercial users, for 5 years from the date of purchase.
- 5 year limited warranty on electronic parts (other than batteries); or for commercial users, for 1 year from the date of purchase. No warranty is provided on batteries.



### COMPLIES WITH:

- ASME A112.18.1 / CSA B125.1
- Indicates compliance to ICC/ANSI A117.1
- EPA WaterSense®
- Verified compliant with 0.25% weighted average Pb content regulations.

### ▲ Designate proper finish suffix

Delta reserves the right (1) to make changes in specifications and materials, and (2) to change or discontinue models, both without notice or obligation. Dimensions are for reference only. See current full-line price book or [www.deltafaucet.com](http://www.deltafaucet.com) for finish options and product availability.

DSP-S-B28910LF Rev. C



55 E. 111th Street, Indianapolis, Indiana 46280  
 350 South Edgeware Road, St. Thomas, Ontario Canada N5P 4L1  
 © 2015 Masco Corporation of Indiana