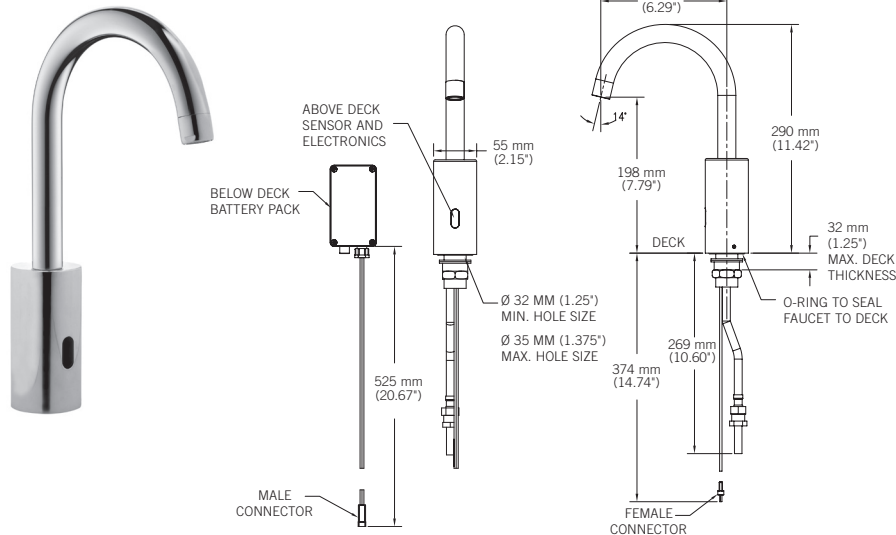


DEMD Series Electronic Lavatory Faucets (Infrared)

HDF[®]
COMMERCIAL

DELTA

DEMD-201LF (BATTERY OPERATED WITH NO MIX)



SPECIFICATION: (EXAMPLE)

- Deck mount electronic lavatory faucet
- Sensor detects user's hand to activate water flow
- Six 1.5V batteries (included)
- Above deck electronics
- Red light indicator blinks when battery is low

DEMD-201 SERIES

- Electronic faucet for cold or pre-mixed water

☐ DEMD-201LF (Chrome)

- 0.5 gpm (1.9 L/min) spray outlet

☐ DEMD-201LF-NS (Nickel Stainless)

- 0.5 gpm (1.9 L/min) spray outlet

OPERATION

Sensing Range:

- Factory set to 8.0" ± 1.5" (200 mm ± 40 mm)
- Adjustable from 3.15" to 11.8" (80 mm to 300 mm) with optional remote control

Maximum Run Time:

- 90 seconds, adjustable with remote control

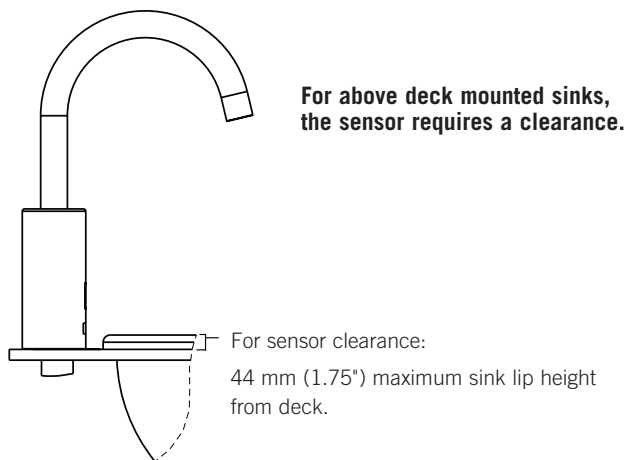
OPTIONAL ACCESSORIES

(Order Separately)

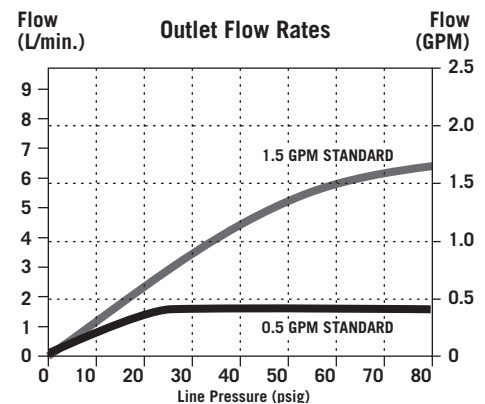
☐ 060967A

- Remote Control – allows adjustment of sensor range, maximum run time, delayed close time, temporary shutoff for cleaning and factory settings reset

SENSOR CLEARANCE



FLOW RATE vs PRESSURE



HARDWIRE CONVERSION OF DEMD-200 SERIES

Requires **SEPARATE** order of either:

(A) One 060958A DEMD plug in power supply, output 9VDC

PLUS One 061014A adaptor kit

OR (B) One 060704A hardwire 20VA transformer (120VAC to 24VAC)

PLUS One 060974A DEMD converter (24VAC to 9VDC)

PLUS One 061014A adaptor kit

APPROVALS:



- IAPMO certified
- Complies to ASME A112.18.1/CSA B125.1
- Indicates compliance to ICC/ANSI A117.1
- Verified compliant with 0.25% weighted average Pb content regulations

(Contact Delta Representative for State and/or Local Approvals.)

Note: Measurements may vary ± 6mm (0.25")

Refer to www.specselect.com for individual models.

Note: Use this page front and back as a product submittal sheet.

Delta reserves the right (1) to make changes in specifications and materials, and (2) to change or discontinue models, both without notice or obligation. Dimensions are for reference only. See current full-line price book or www.specselect.com for finish options and product availability.

DSP-DEMD-200 Rev. J

DEMD Series Electronic Lavatory Faucets (Infrared)

HDF
COMMERCIAL

DELTA

SPECIFICATION: (EXAMPLE)

- Deck mount electronic lavatory faucet
- Sensor detects user's hand to activate water flow
- Six 1.5V batteries (included)
- Above deck electronics
- Red light indicator blinks when battery is low

DEMD-211 SERIES

- Electronic faucet with mixer to adjust temperature

DEMD-211LF (Chrome)

- 0.5 gpm (1.9 L/min) spray outlet

DEMD-211LF-NS (Nickel Stainless)

- 0.5 gpm (1.9 L/min) spray outlet

DEMD-211-15LF (Chrome)

- 1.5 gpm (5.7 L/min) Careguard® laminar outlet

OPERATION

Sensing Range:

- Factory set to 8.0" ± 1.5" (200 mm ± 40 mm)
- Adjustable from 3.15" to 11.8" (80 mm to 300 mm) with optional remote control

Maximum Run Time:

- 90 seconds, adjustable with remote control

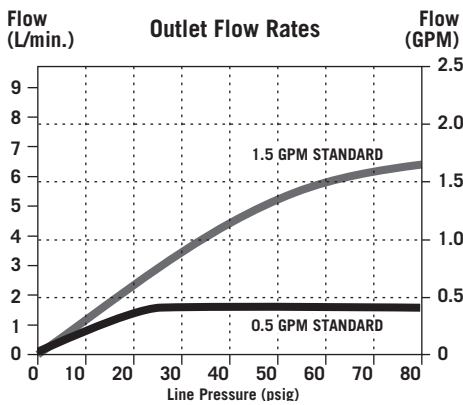
OPTIONAL ACCESSORIES

(Order Separately)

060967A

- Remote Control – allows adjustment of sensor range, maximum run time, delayed close time, temporary shutoff for cleaning and factory settings reset

FLOW RATE vs PRESSURE



APPROVALS:

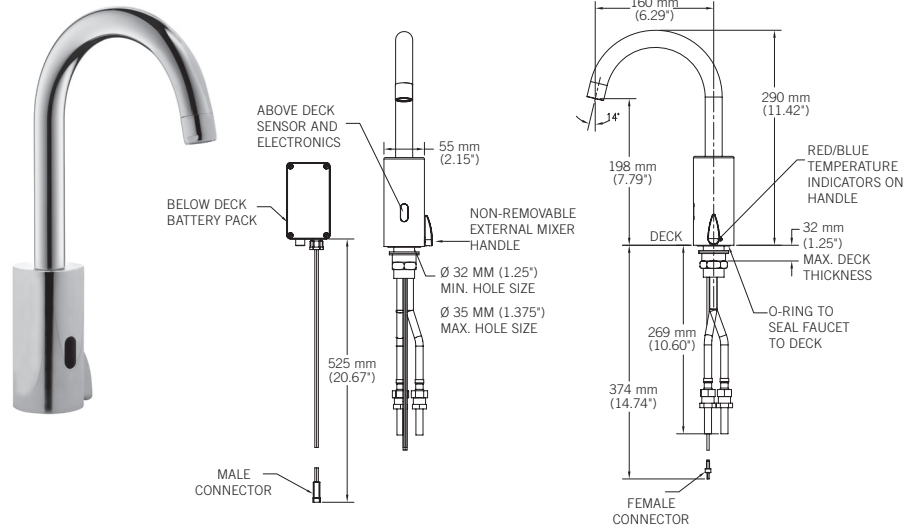


- IAPMO certified
- Complies to ASME A112.18.1/CSA B125.1
- Indicates compliance to ICC/ANSI A117.1
- Verified compliant with 0.25% weighted average Pb content regulations

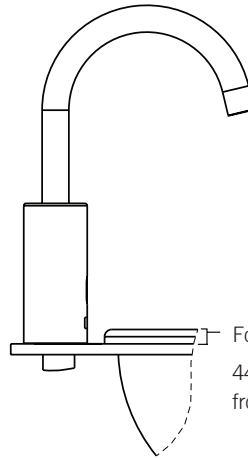
(Contact Delta Representative for State and/or Local Approvals.)

Note: Measurements may vary ± 6mm (0.25")

DEMD-211LF (BATTERY OPERATED WITH USER MIX)



SENSOR CLEARANCE



For above deck mounted sinks, the sensor requires a clearance.

For sensor clearance:
44 mm (1.75") maximum sink lip height from deck.

HARDWIRE CONVERSION OF DEMD-200 SERIES

Requires SEPARATE order of either:

Ⓐ One 060958A DEMD plug in power supply, output 9VDC

PLUS One 061014A adaptor kit

Ⓑ One 060704A hardwire 20VA transformer (120VAC to 24VAC)

PLUS One 060974A DEMD converter (24VAC to 9VDC)

PLUS One 061014A adaptor kit